

## ➤ Fiber Runners - Overview

### DESCRIPTION

Facing the ever-growing demands of high-speed data transmission and seamless network connectivity, NetBeats' Fiber Runner series are designed to protect and route fibre optic patch cords, multi-fibre cable assemblies and intrafacility fibre cable to and from fibre splice enclosures, fibre distribution frames and fibre optic terminal devices. The system ensures a 40mm minimum bend radius is maintained throughout. It meets industry standards with its versatility, scalability, and reliability. This system encompasses an array of advanced fiber optic pathways, fittings, and accessories that are engineered to optimize cable routing, improve airflow, and enhance overall system performance, providing an integrated and adaptable approach to organizing, protecting, and supporting fiber optic cables in data centers, enterprises, and others telecommunications environment. With its flexible and modular design, the series allows for easy installation, ensuring that cable management needs can be easily accommodated as technology and infrastructure requirements evolve. Whether it's minimizing cable congestion or maximizing cable protection, this series of product delivers a reliable and effective solution for fiber cabling management.

### FEATURES

- Modular Design: Feature a modular design, allowing for easy customization and accommodating changing cable management needs.
- Cable Routing Channels: These products provide cable routing channels that effectively organize and guide fiber optic cables, ensuring proper alignment and reducing cable congestion.
- Fittings and Accessories: Offering a wide range of fittings and accessories that enable seamless integration, flexibility, and expansion of cable management systems.
- Cable Protection: Provide reliable and durable protection for fiber optic cables, safeguarding potential damage from external factors such as impact, moisture, or dust.
- Easy Installation: Designed for straightforward installation, minimizing installation time and effort.
- Scalability: Scalable, allowing for easy expansion and modification as infrastructure requirements evolve.
- Improved Airflow: Optimize airflow within cable routing channels, preventing heat build-up and enhancing overall system performance.
- Cable Accessibility: Provide easy access to cables, allowing for efficient maintenance, troubleshooting, and quick cable replacement if needed.
- Compatibility: Compatible with various types and sizes of fiber optic cables, ensuring versatility and compatibility with different system configurations.
- Aesthetics: With a clean and professional appearance, making them suitable for a range of environments, including data centers, server rooms, office spaces and more.

### Applications

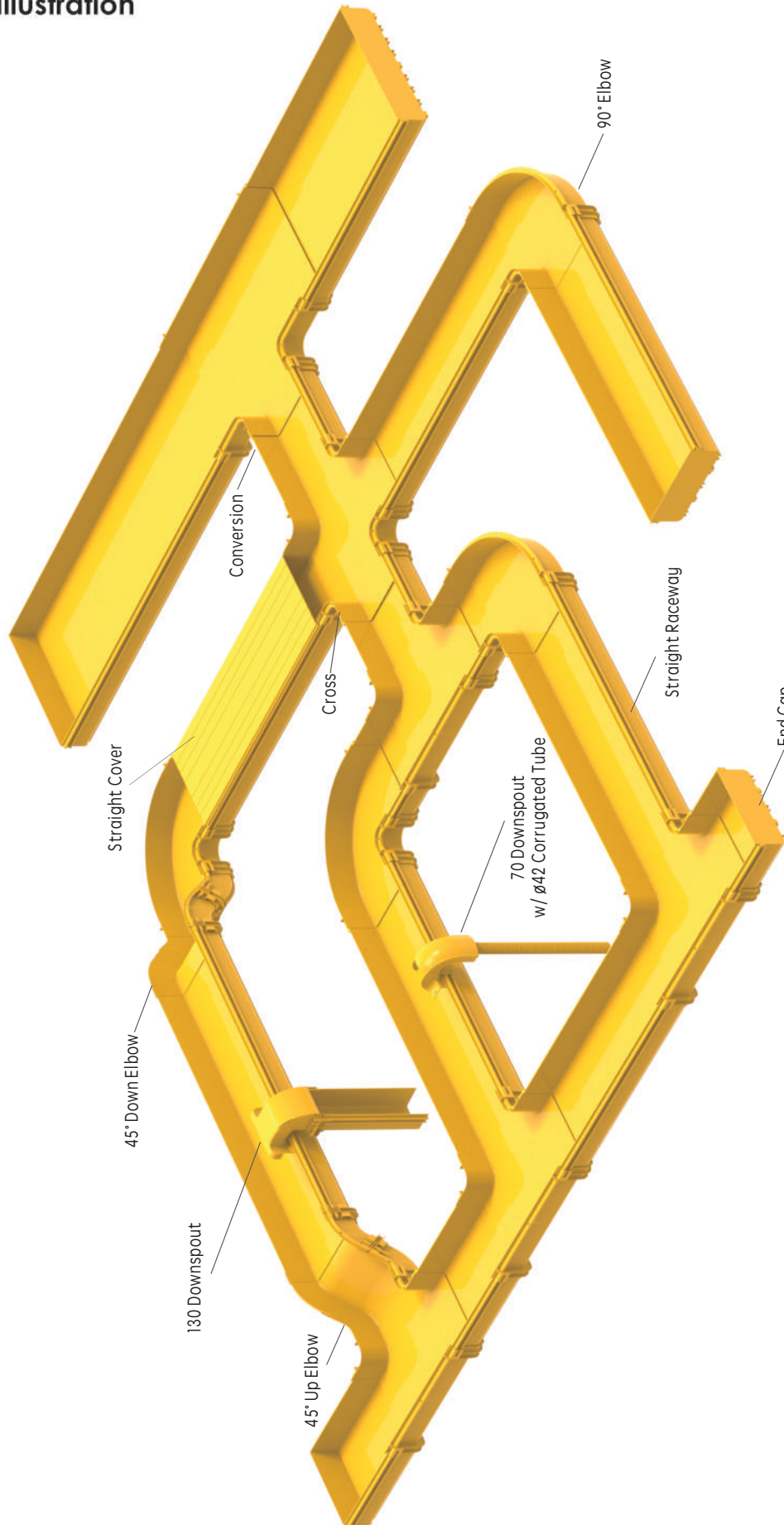
- Data Centers
- Telecommunication
- Enterprise Networks
- Broadcast and Media
- Healthcare
- Government and Military
- Education
- Industry Automation
- Transportation

### Compliances

- ▶ TIA-568-C
- ▶ UL-Listed
- ▶ TIA-942
- ▶ BICSI-002
- ▶ TIA-569-D
- ▶ RoHS
- ▶ ANSI/TIA-568-C
- ▶ NEMA TC-3
- ▶ TIA-606-B
- ▶ ISO 9001
- ▶ ISO/IEC 11801

## ➤ Fiber Runners - Overview

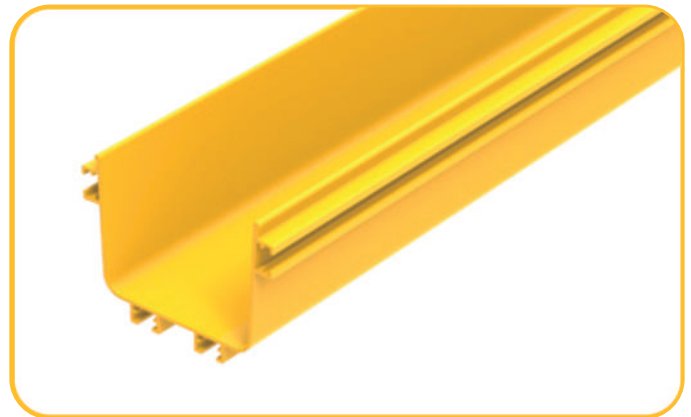
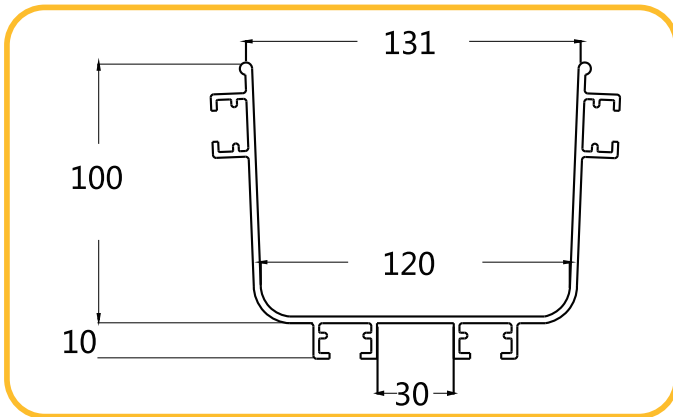
### System Illustration



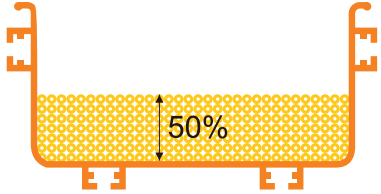
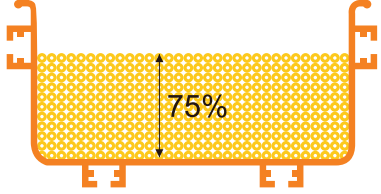
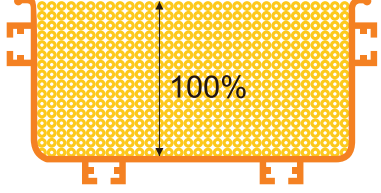
## > Fiber Runners - 120mm

### Fiber Runners - 120mm Straight Raceway

- Dimension(WxHxL): 160mm x 117mm x 2000mm
- Material: PVC/ABS
- Weight: 4300g
- Color: Yellow (Pantone 123C)



### Capacity

2MM Cable	3MM Cable	Cross Section View
955	424	
1433	636	
1910	848	

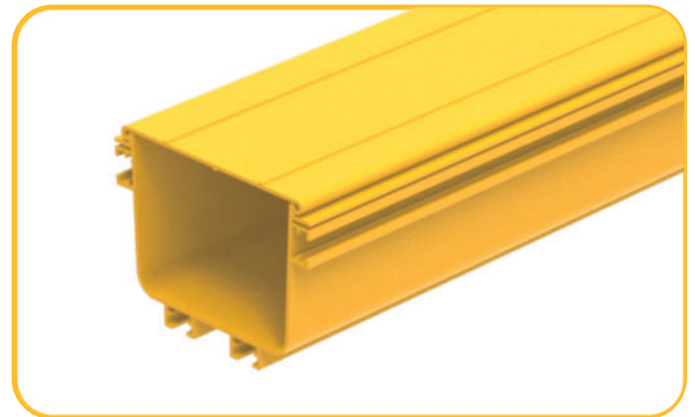
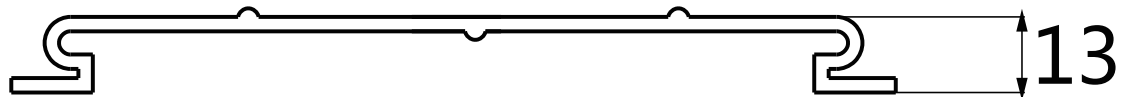
# FIBER RUNNERS



## > Fiber Runners - 120mm

### Fiber Runners - 120mm Straight Cover

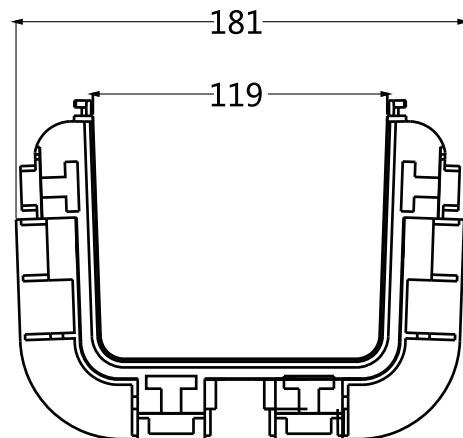
- Dimension(WxHxL): 160mm x 13mm x 2000mm
- Material: Flame-retardant ABS
- Weight: 1400g
- Color: Yellow (Pantone 123C)



## FIBER RUNNERS

### Fiber Runners - 120mm Junction

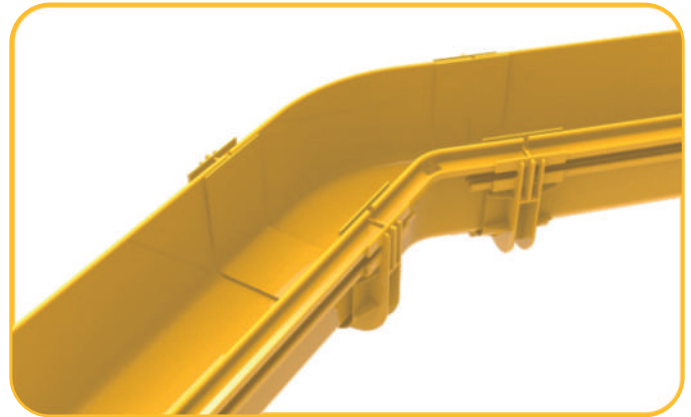
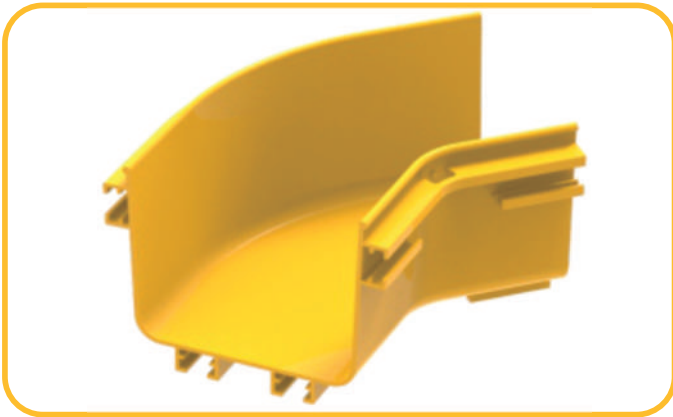
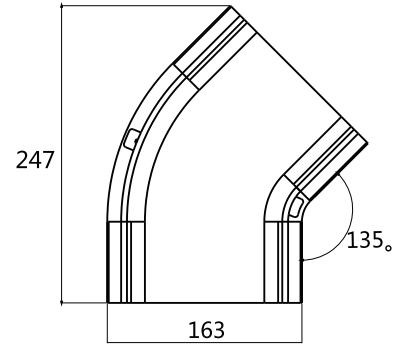
- Dimension(WxHxL): 181mm x 93mm x 140mm
- Used as: Side outlet in straight sections
- Material: Flame-retardant ABS
- Weight: 237g
- Color: Yellow (Pantone 123C)



## > Fiber Runners - 120mm

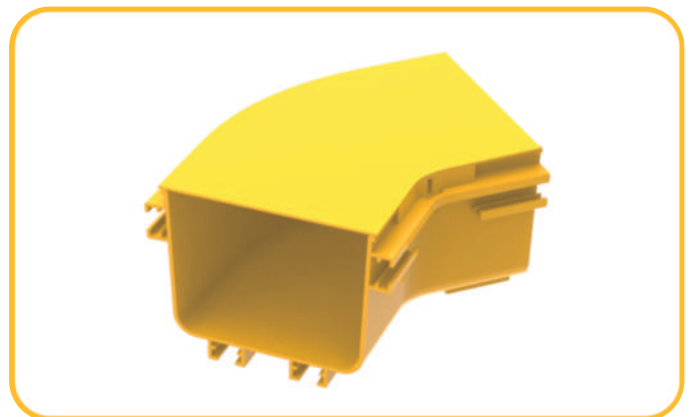
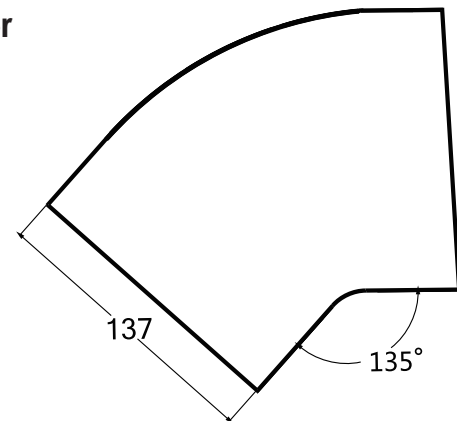
### Fiber Runners - 120mm 45° Horizontal Elbow

- Dimension(WxHxL): 247mm x 117mm x 220mm
- Used as: 45° turn between straight sections
- Material: Flame-retardant ABS
- Weight: 316g
- Color: Yellow (Pantone 123C)



### Fiber Runners - 120mm 45° Horizontal Elbow Cover

- Used as: Cover on the 45° horizontal elbow
- Material: Flame-retardant ABS
- Weight: 77g
- Color: Yellow (Pantone 123C)



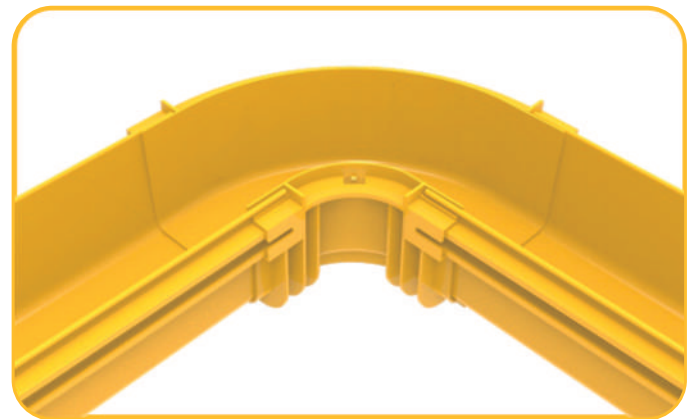
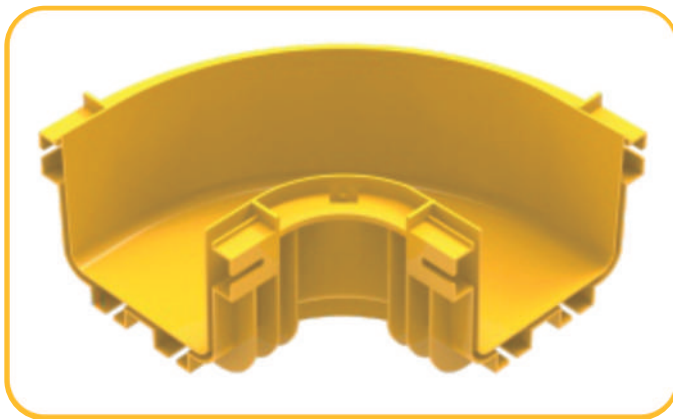
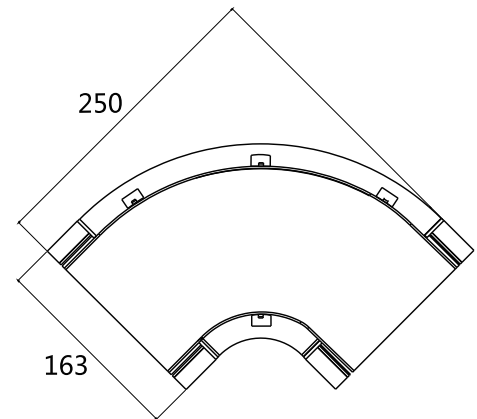
# FIBER RUNNERS



## > Fiber Runners - 120mm

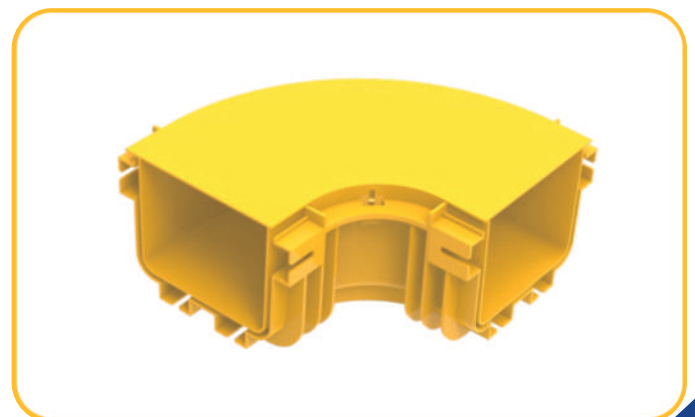
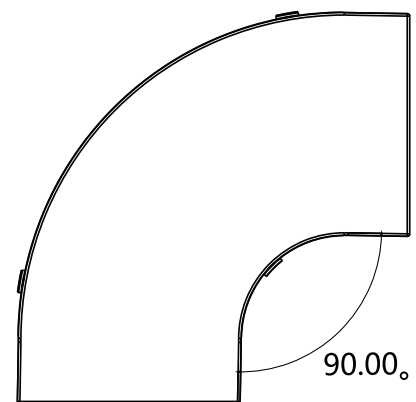
### Fiber Runners - 120mm 90° Horizontal Elbow

- Dimension(WxHxL): 250mm x 121mm x 250mm
- Used as: 90° turn between straight sections
- M5 Screw&Nut Required: 8pcs
- Material: Flame-retardant ABS
- Weight: 509g
- Color: Yellow (Pantone 123C)



### Fiber Runners - 120mm 90° Horizontal Elbow Cover

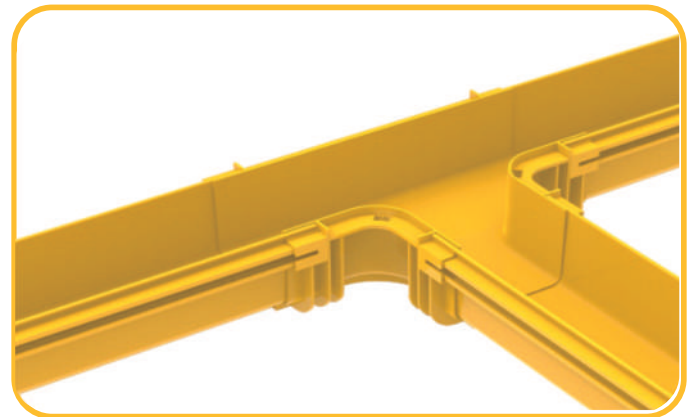
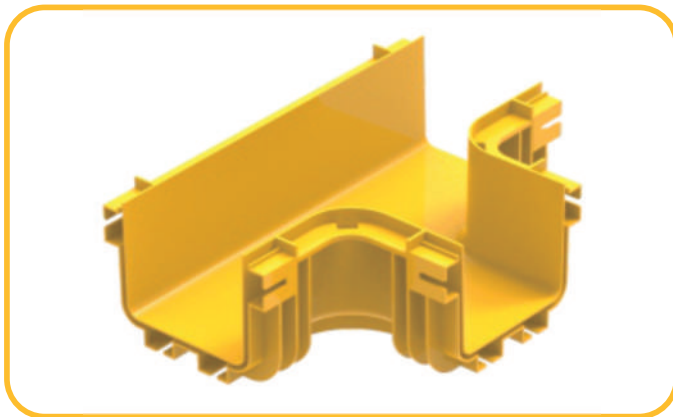
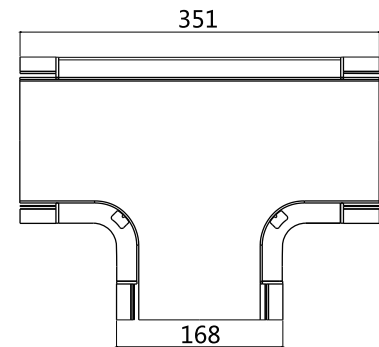
- Used as: Cover on the 90° horizontal elblw
- Material: Flame-retardant ABS
- Weight: 92g
- Color: Yellow (Pantone 123C)



## > Fiber Runners - 120mm

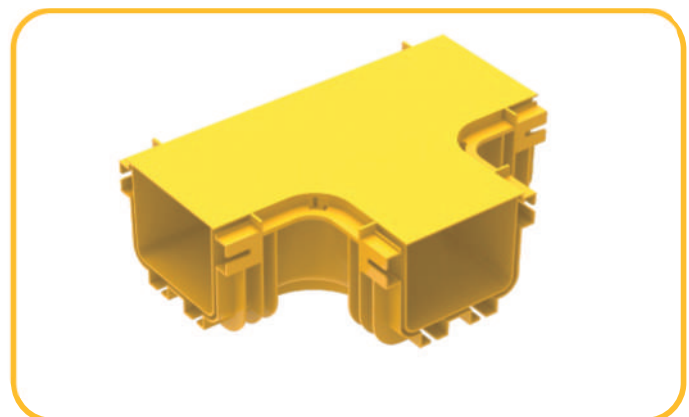
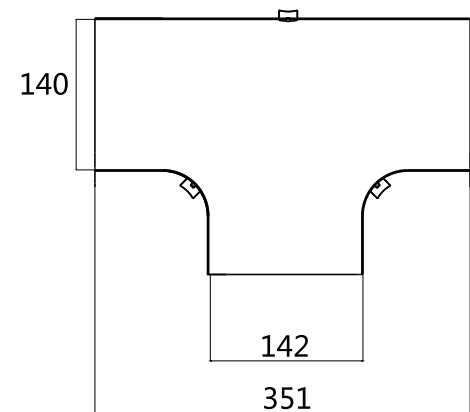
### Fiber Runners - 120mm Horizontal TEE Section

- Dimension(WxHxL): 351mm x 121mm x 260mm
- Used as: Junction between straight sections
- M5 Screw&Nut Required: 12pcs
- Material: Flame-retardant ABS
- Weight: 795g
- Color: Yellow (Pantone 123C)



### Fiber Runners - 120mm Horizontal TEE Cover

- Dimension(WxHxL): 351mm x 20mm x 260mm
- Used as: Cover on the TEE section
- Material: Flame-retardant ABS
- Weight: 163g
- Color: Yellow (Pantone 123C)



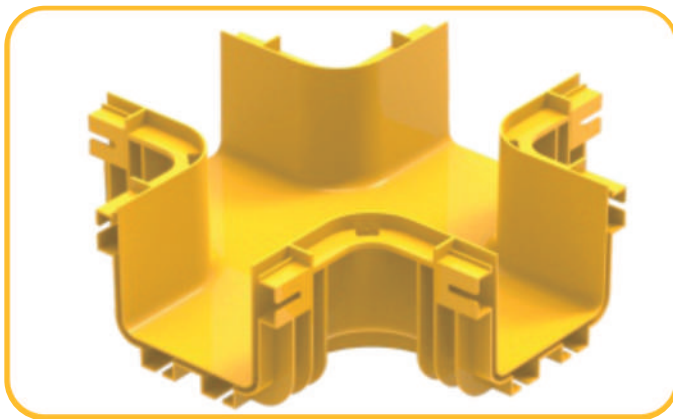
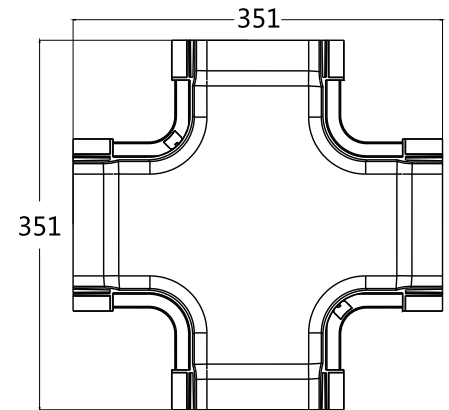
# FIBER RUNNERS



## > Fiber Runners - 120mm

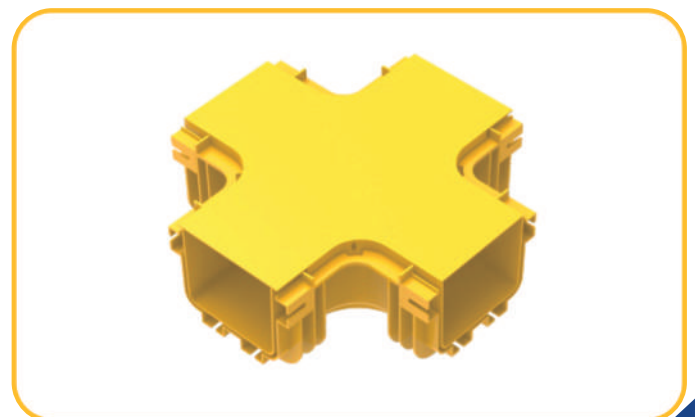
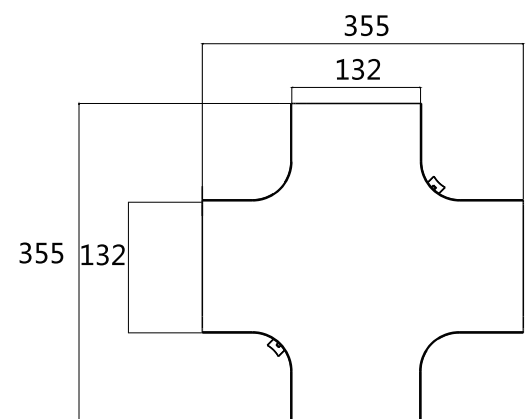
### Fiber Runners - 120mm Cross

- Dimension(WxHxL): 351mm x 121mm x 351mm
- Used as: Cross area between straight sections
- M5 Screw&Nut Required: 16pcs
- Material: Flame-retardant ABS
- Weight: 950g
- Color: Yellow (Pantone 123C)



### Fiber Runners - 120mm Cross Cover

- Dimension(WxHxL): 355mm x 20mm x 355mm
- Used as: Cover on the cross section
- Material: Flame-retardant ABS
- Weight: 206g
- Color: Yellow (Pantone 123C)



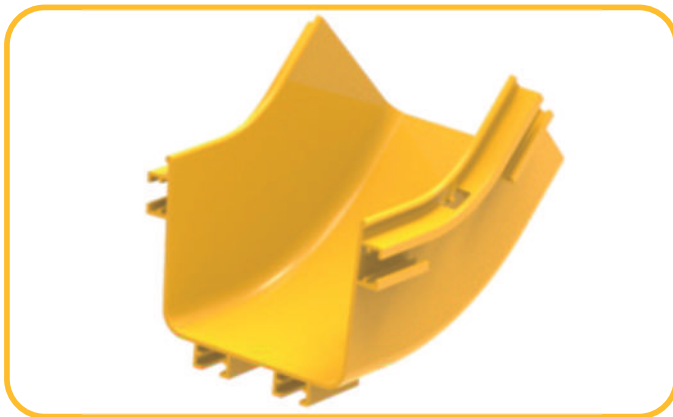
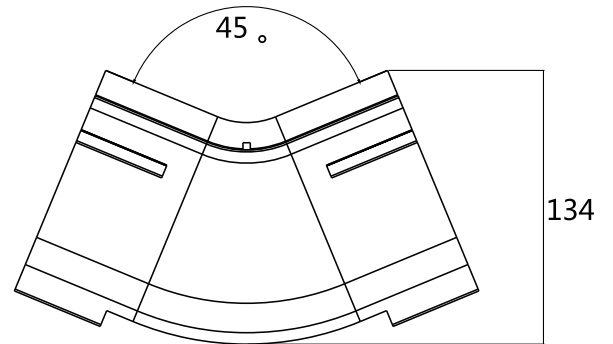
FIBER RUNNERS



## > Fiber Runners - 120mm

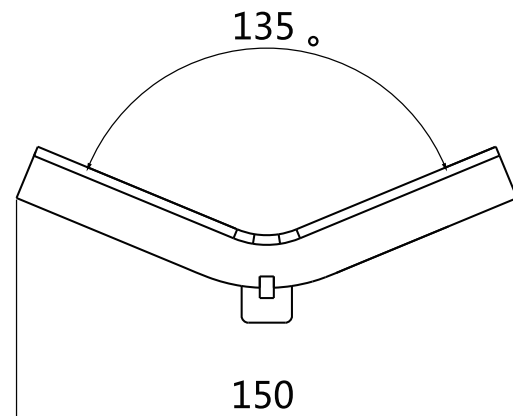
### Fiber Runners - 120mm 45° Up Elbow

- Dimension(WxHxL): 204mm x 183mm x 166mm
- Used as: Transition between levels, paired with down elbow
- Material: Flame-retardant ABS
- Weight: 293g
- Color: Yellow (Pantone 123C)



### Fiber Runners - 120mm 45° Up Elbow Cover

- Used as: Cover on the up elbow
- Material: Flame-retardant ABS
- Weight: 53g
- Color: Yellow (Pantone 123C)



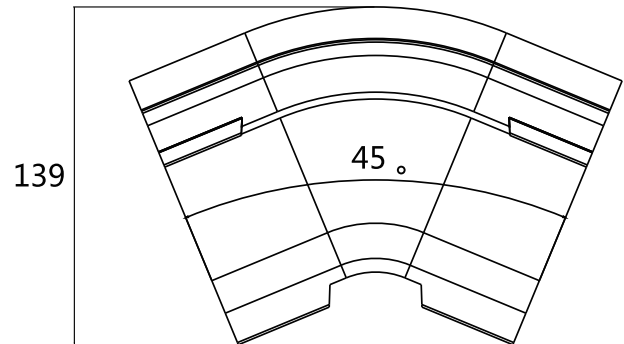
# FIBER RUNNERS



## > Fiber Runners - 120mm

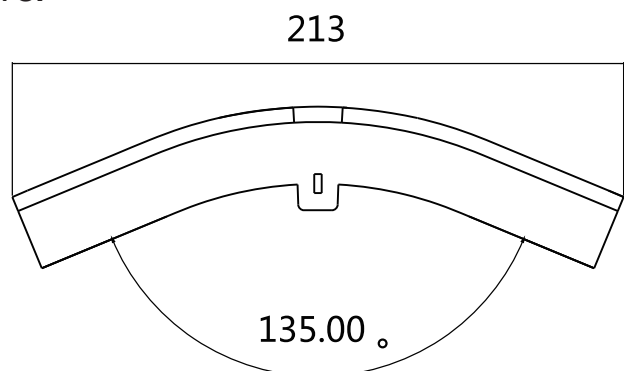
### Fiber Runners - 120mm 45° Down Elbow

- Dimension(WxHxL): 195mm x 162mm x 183mm
- Used as: Transition between levels, paired with up elbow
- Material: Flame-retardant ABS
- Weight: 231g
- Color: Yellow (Pantone 123C)



### Fiber Runners - 120mm 45° Down Elbow Cover

- Used as: Cover on the up elbow
- Material: Flame-retardant ABS
- Weight: 104g
- Color: Yellow (Pantone 123C)

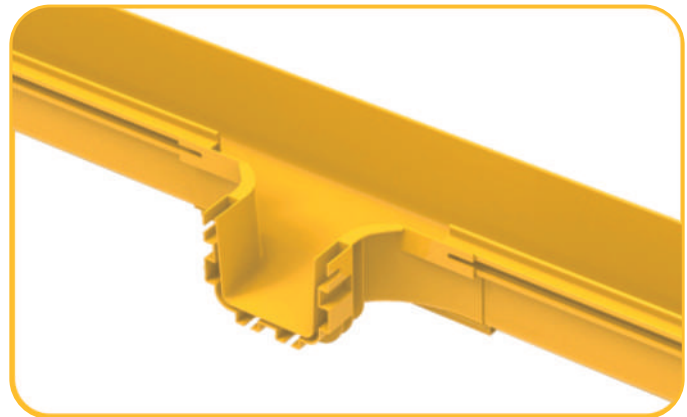
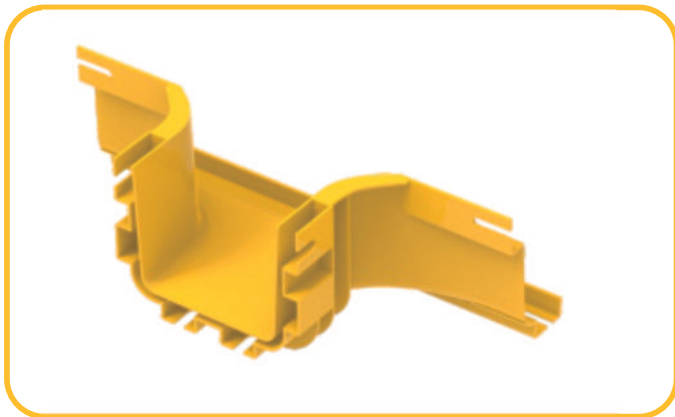
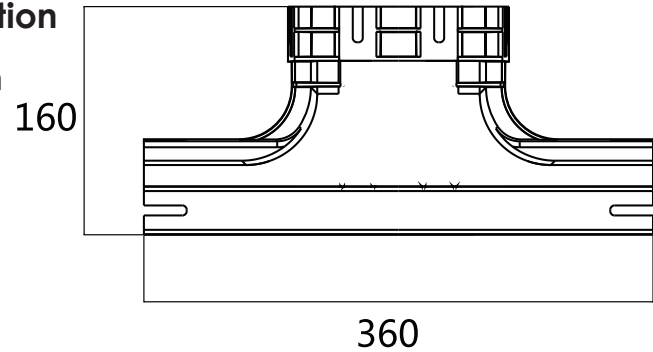


FIBER RUNNERS

## > Fiber Runners - 120mm

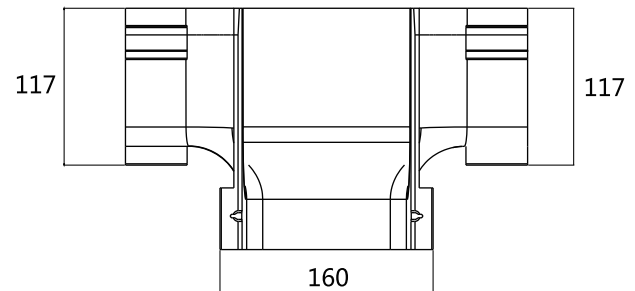
### Fiber Runners - 120mm Universal TEE Section

- Dimension(WxHxL): 360mm x 120mm x 160mm
- Used as: Side joint in straight sections
- M5 Screw&Nut Required: 8pcs
- Material: Flame-retardant ABS
- Weight: 234g
- Color: Yellow (Pantone 123C)



### Fiber Runners - 120mm Vertical TEE Section

- Dimension(WxHxL): 300mm x 190mm x 160mm
- Used as: TEE sections for down routing
- Material: Flame-retardant ABS
- Weight: 466g
- Color: Yellow (Pantone 123C)
- 



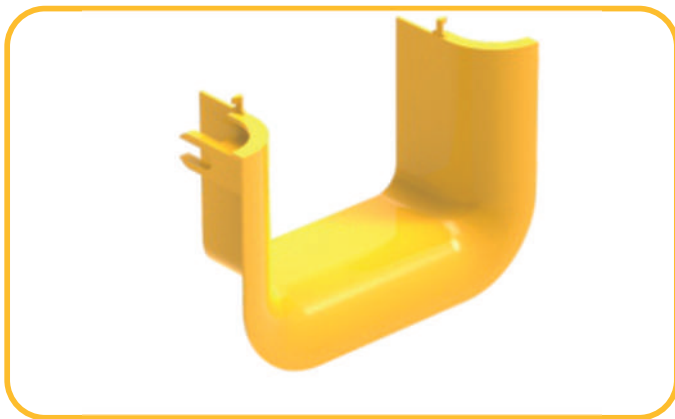
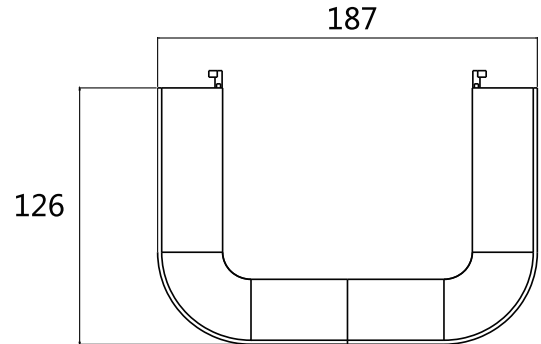
# FIBER RUNNERS



## > Fiber Runners - 120mm

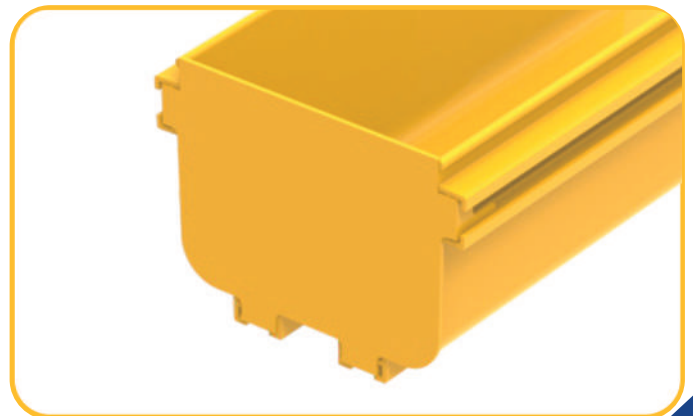
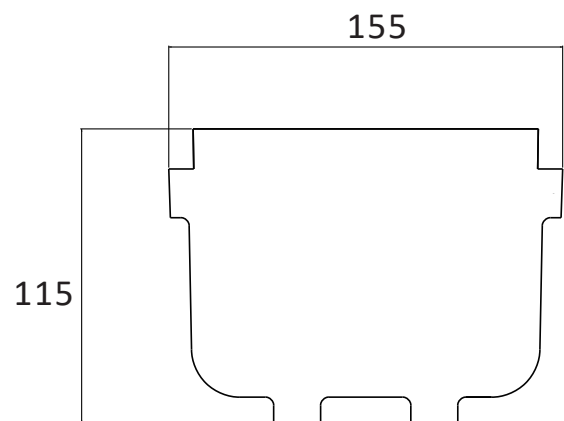
### Fiber Runners - 120mm 45° Trumpet

- Dimension(WxHxL): 187mm x 130mm x 70mm
- Used as: Cable exit at the end of raceway
- M5 Screw&Nut Required: 4pcs
- Material: Flame-retardant ABS
- Weight: 119g
- Color: Yellow (Pantone 123C)



### Fiber Runners - 120mm End Cap

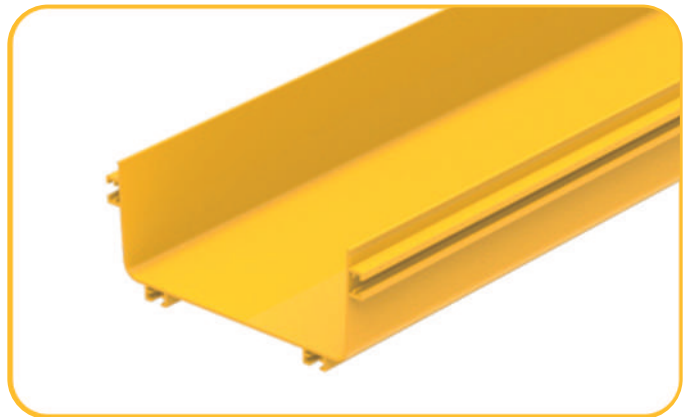
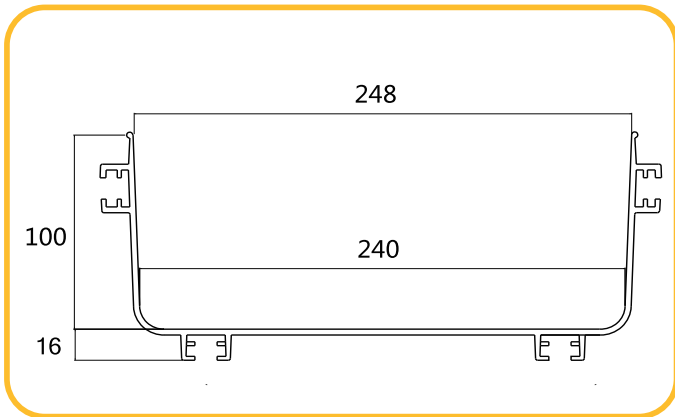
- Dimension(WxHxL): 155mm x 27mm x 115mm
- Used as: Straight raceway close-up
- M5 Screw&Nut Required: 4pcs
- Material: Flame-retardant ABS
- Weight: 39g
- Color: Yellow (Pantone 123C)



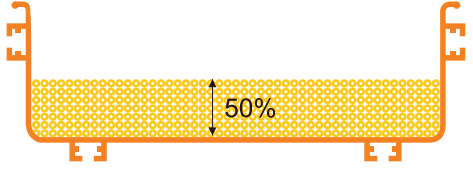
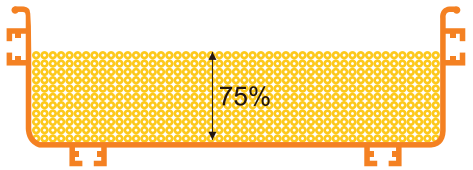
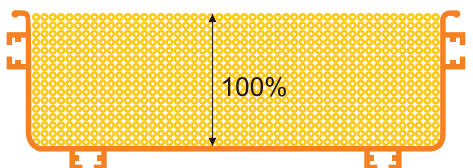
## > Fiber Runners - 240mm

### Fiber Runners - 240mm Straight Raceway

- Dimension(WxHxL): 283mm x 117mm x 2000mm
- Material: PVC/ABS
- Weight: 5400g
- Color: Yellow (Pantone 123C)



### Capacity

2MM Cable	3MM Cable	Cross Section View
1910	849	
2866	1273	
3821	1698	

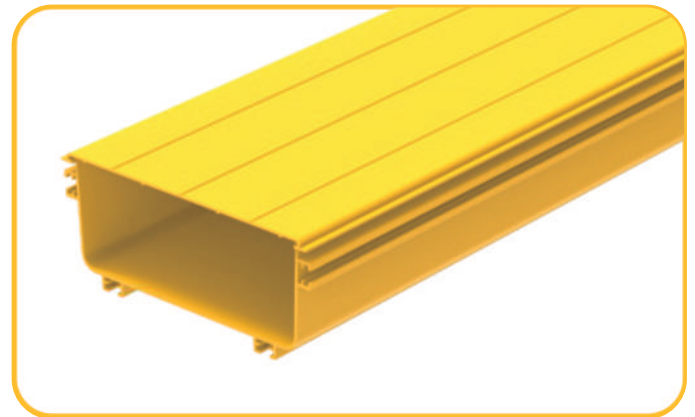
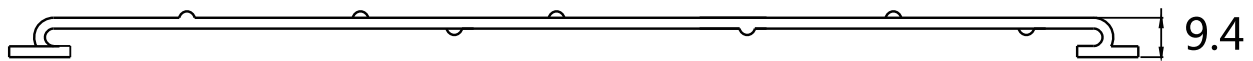
# FIBER RUNNERS



## > Fiber Runners - 240mm

### Fiber Runners - 240mm Straight Cover

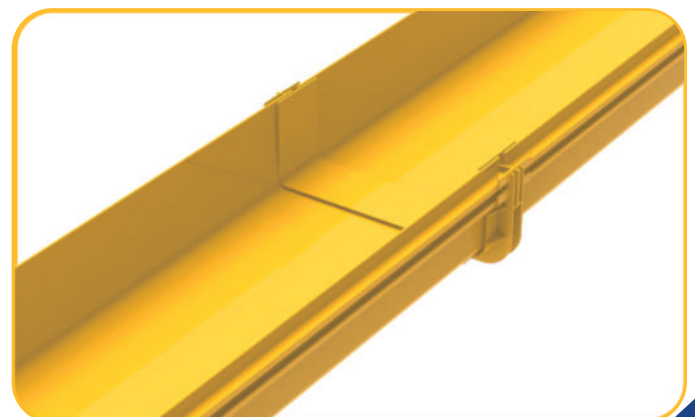
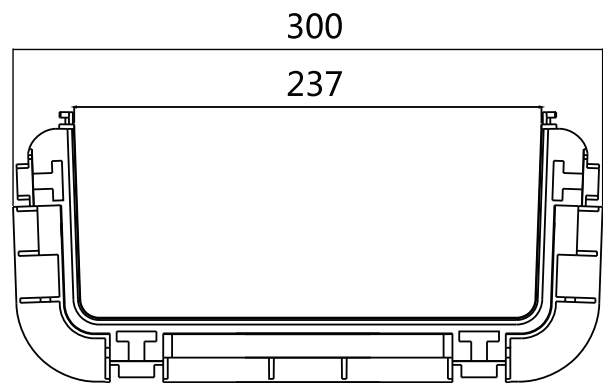
- Dimension(WxHxL): 272mm x 9.4mm x 2000mm
- Material: Flame-retardant ABS
- Weight: 2560g
- Color: Yellow (Pantone 123C)



## FIBER RUNNERS

### Fiber Runners - 240mm Junction

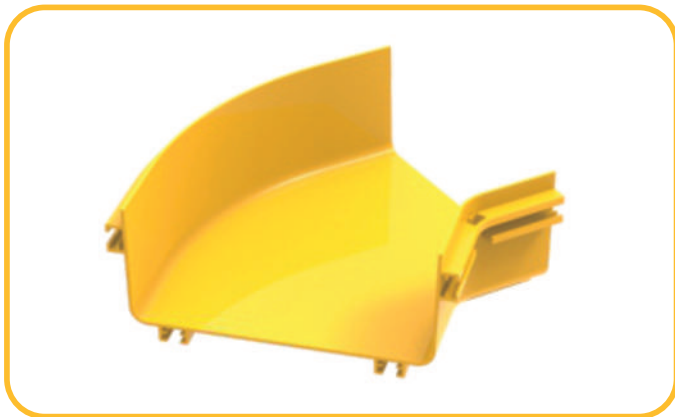
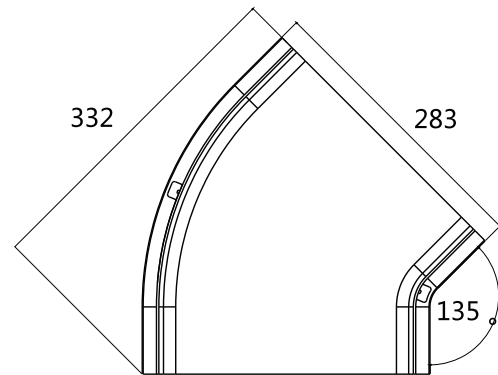
- Dimension(WxHxL): 300mm x 94mm x 142mm
- Used as: Side outlet in straight sections
- M5 Screw&Nut Required: 8pcs
- Material: Flame-retardant ABS
- Weight: 378g
- Color: Yellow (Pantone 123C)



## > Fiber Runners - 240mm

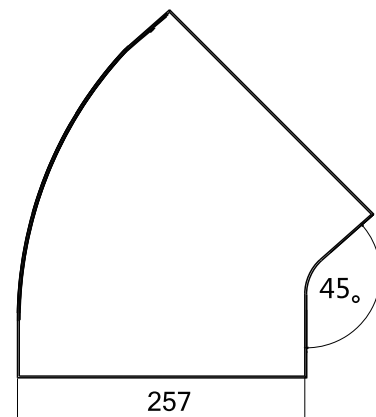
### Fiber Runners - 240mm 45° Horizontal Elbow

- Dimension(WxHxL): 332mm x 121mm x 283mm
- Used as: 45° turn between straight sections
- Material: Flame-retardant ABS
- Weight: 521g
- Color: Yellow (Pantone 123C)



### Fiber Runners - 240mm 45° Horizontal Elbow Cover

- Used as: Cover on the 45° horizontal elbow
- Material: Flame-retardant ABS
- Weight: 281g
- Color: Yellow (Pantone 123C)



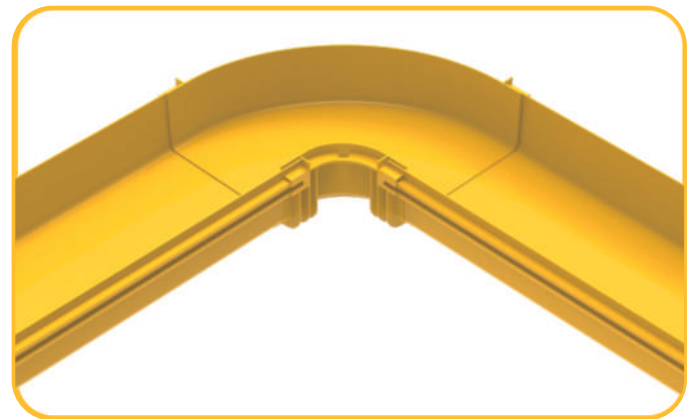
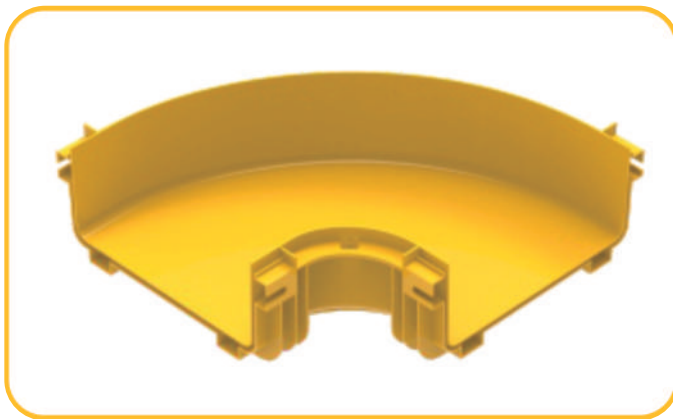
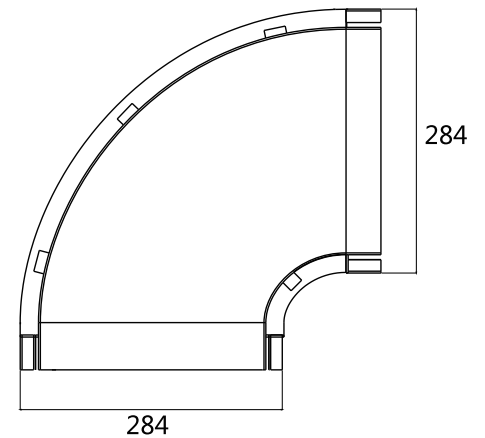
# FIBER RUNNERS



## > Fiber Runners - 240mm

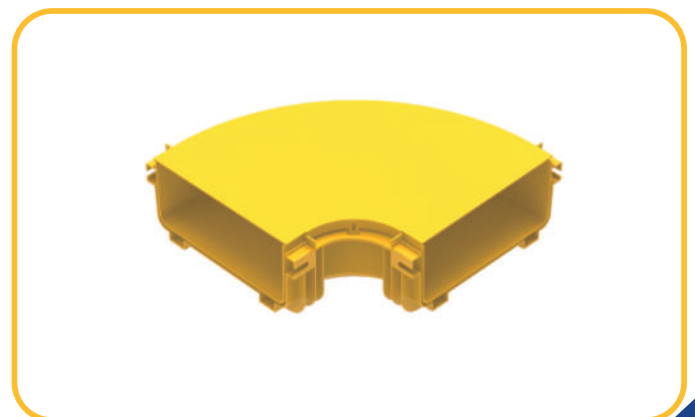
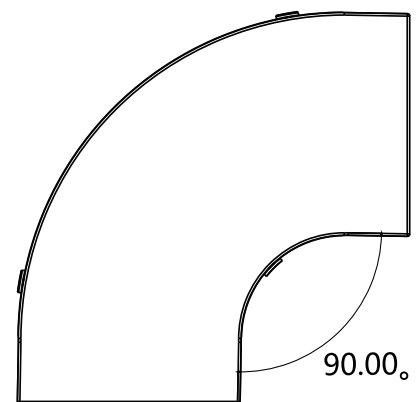
### Fiber Runners - 240mm 90° Horizontal Elbow

- Dimension(WxHxL): 392mm x 121mm x 392mm
- Used as: 90° turn between straight sections
- M5 Screw&Nut Required: 8pcs
- Material: Flame-retardant ABS
- Weight: 871g
- Color: Yellow (Pantone 123C)



### Fiber Runners - 240mm 90° Horizontal Elbow Cover

- Used as: Cover on the 90° horizontal elblw
- Material: Flame-retardant ABS
- Weight: 145g
- Color: Yellow (Pantone 123C)



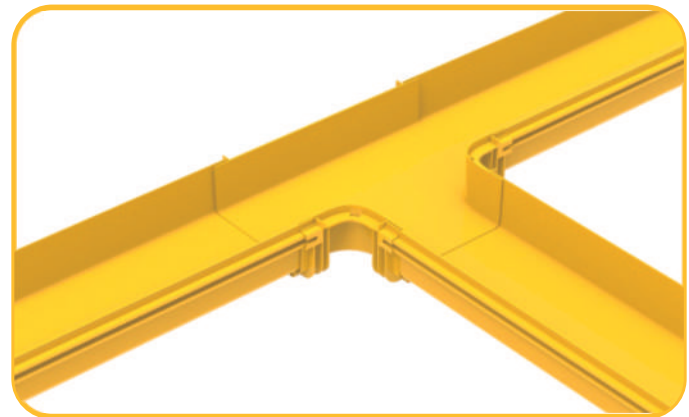
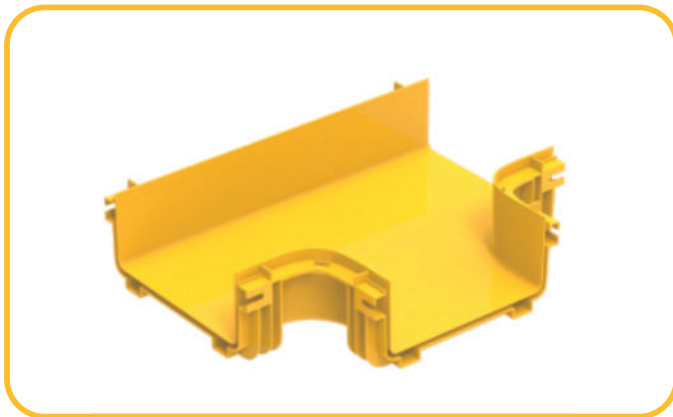
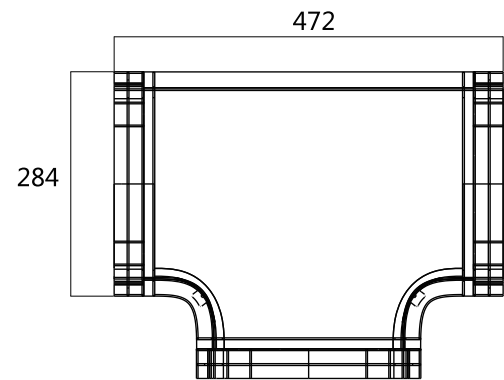
FIBER RUNNERS



## > Fiber Runners - 240mm

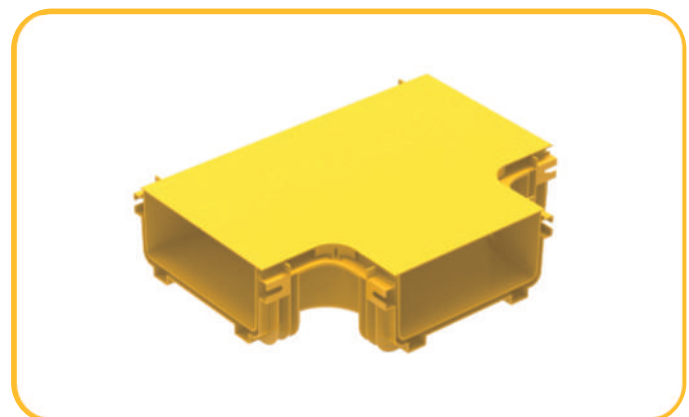
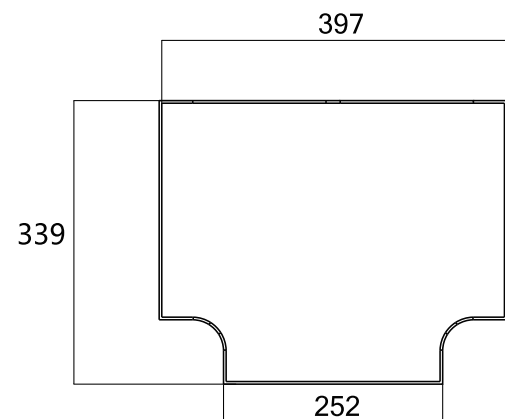
### Fiber Runners - 240mm Horizontal TEE Section

- Dimension(WxHxL): 472mm x 121mm x 380mm
- Used as: Junction between straight sections
- M5 Screw&Nut Required: 12pcs
- Material: Flame-retardant ABS
- Weight: 1300g
- Color: Yellow (Pantone 123C)



### Fiber Runners - 240mm Horizontal TEE Cover

- Dimension(WxHxL): 397mm x 20mm x 339mm
- Used as: Cover on the TEE section
- Material: Flame-retardant ABS
- Weight: 527g
- Color: Yellow (Pantone 123C)



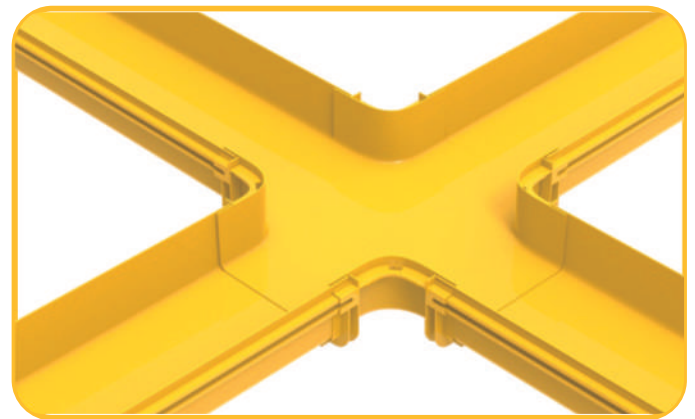
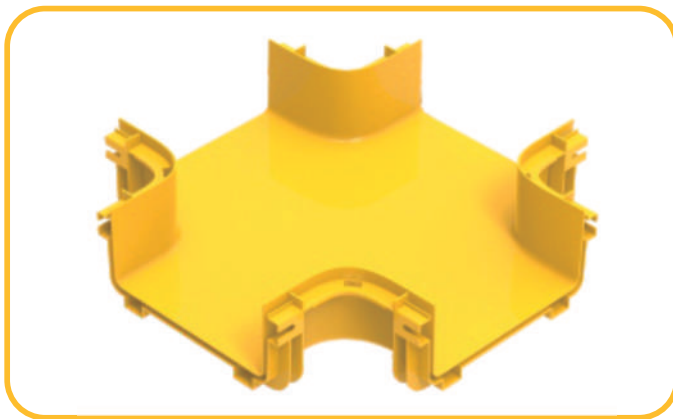
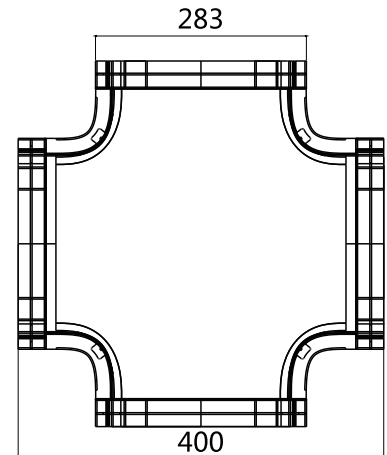
# FIBER RUNNERS



## > Fiber Runners - 240mm

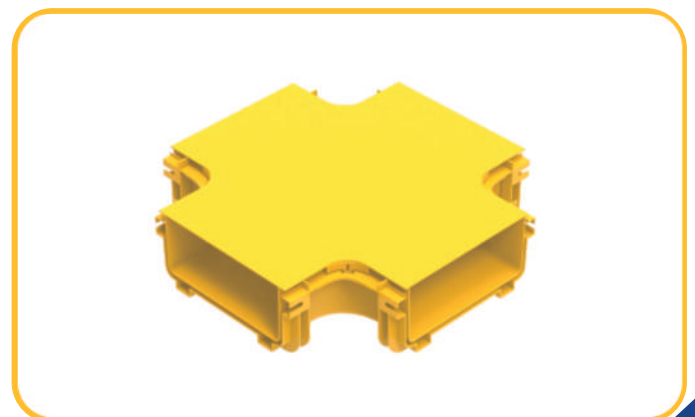
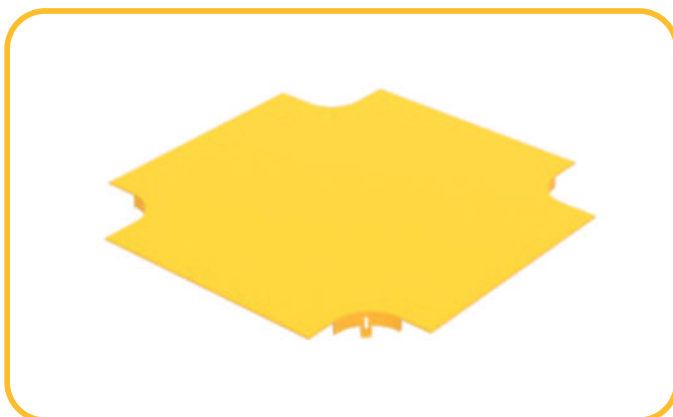
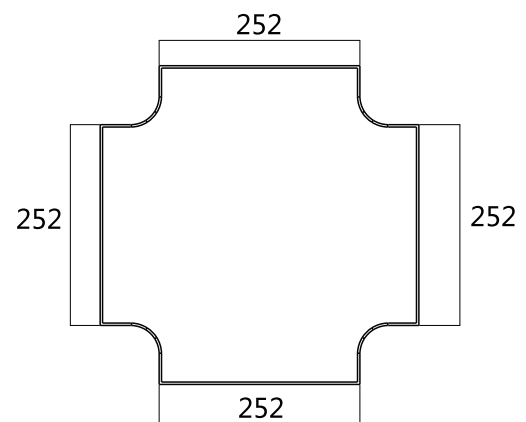
### Fiber Runners - 240mm Cross

- Dimension(WxHxL): 400mm x 121mm x 400mm
- Used as: Cross area between straight sections
- M5 Screw&Nut Required: 16pcs
- Material: Flame-retardant ABS
- Weight: 1614g
- Color: Yellow (Pantone 123C)



### Fiber Runners - 240mm Cross Cover

- Dimension(WxHxL): 400mm x 20mm x 400mm
- Used as: Cover on the cross section
- Material: Flame-retardant ABS
- Weight: 542g
- Color: Yellow (Pantone 123C)

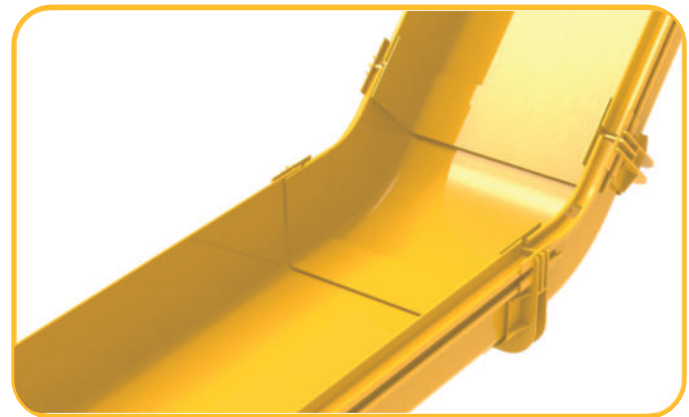
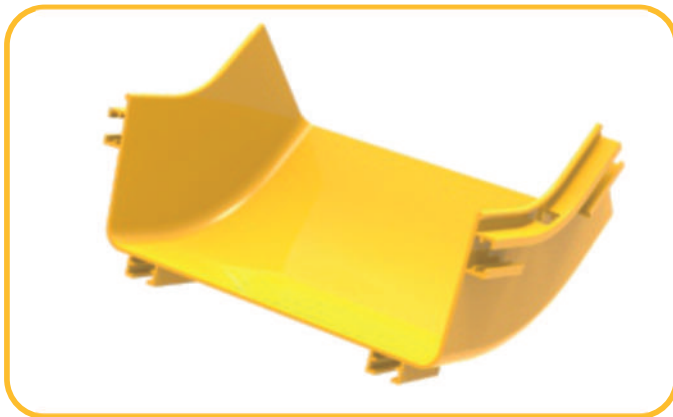
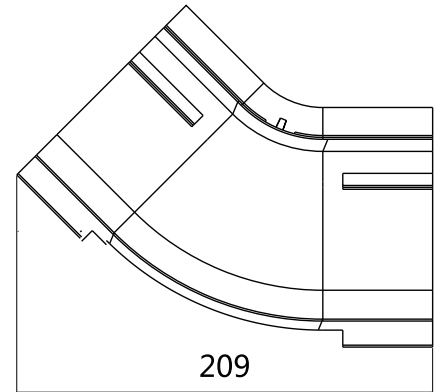


FIBER RUNNERS

## > Fiber Runners - 240mm

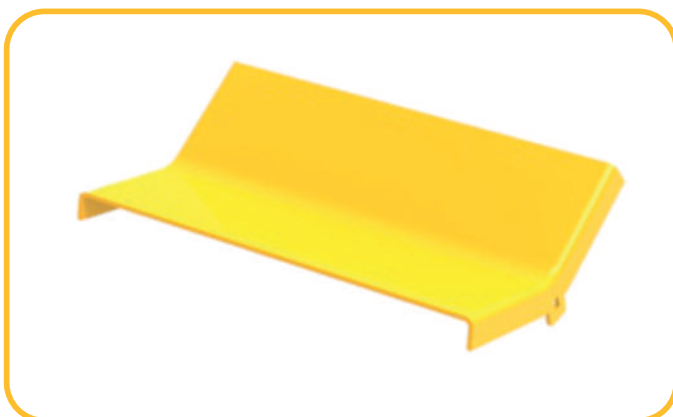
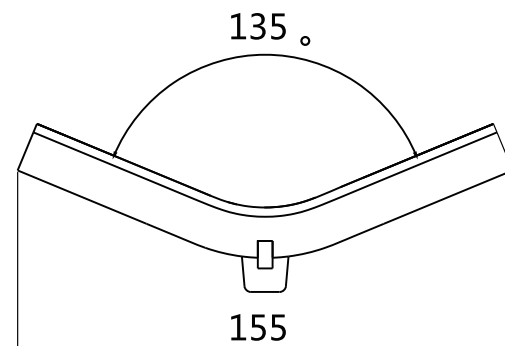
### Fiber Runners - 240mm 45° Up Elbow

- Dimension(WxHxL): 209mm x 171mm x 283mm
- Used as: Transition between levels, paired with down elbow
- Material: Flame-retardant ABS
- Weight: 370g
- Color: Yellow (Pantone 123C)



### Fiber Runners - 240mm 45° Up Elbow Cover

- Used as: Cover on the up elbow
- Material: Flame-retardant ABS
- Weight: 118g
- Color: Yellow (Pantone 123C)



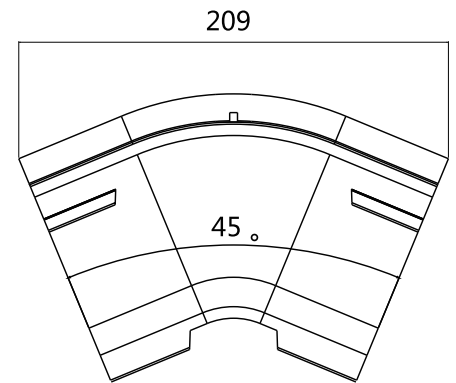
# FIBER RUNNERS



## > Fiber Runners - 240mm

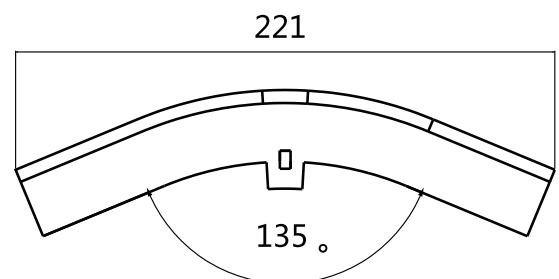
### Fiber Runners - 240mm 45° Down Elbow

- Dimension(WxHxL): 195mm x 162mm x 183mm
- Used as: Transition between levels, paired with up elbow
- Material: Flame-retardant ABS
- Weight: 304g
- Color: Yellow (Pantone 123C)



### Fiber Runners - 240mm 45° Down Elbow Cover

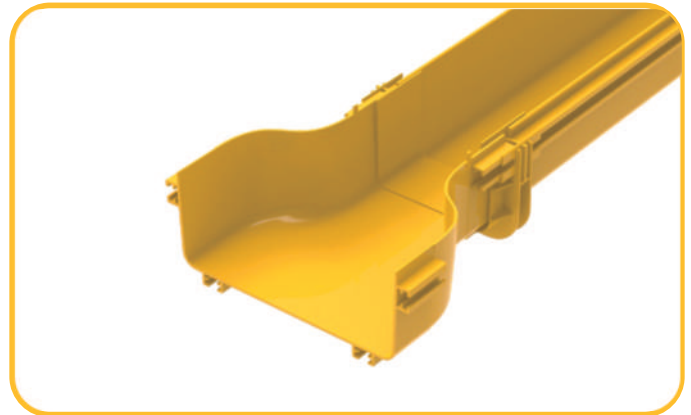
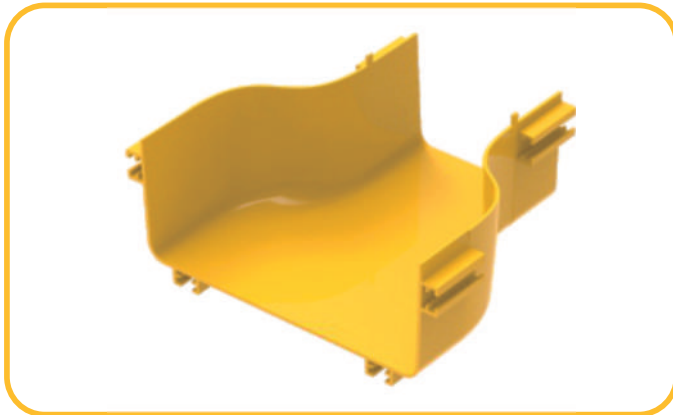
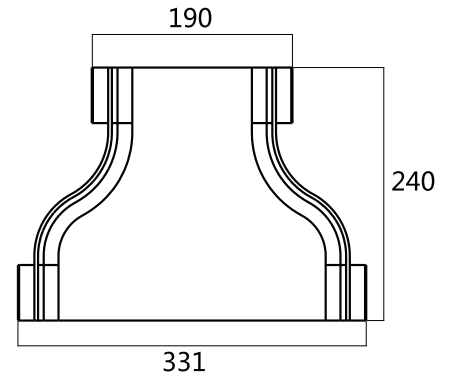
- Used as: Cover on the up elbow
- Material: Flame-retardant ABS
- Weight: 212g
- Color: Yellow (Pantone 123C)



## > Fiber Runners - 240mm

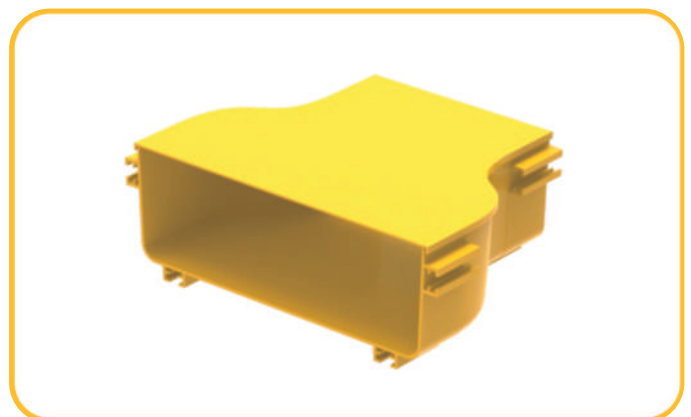
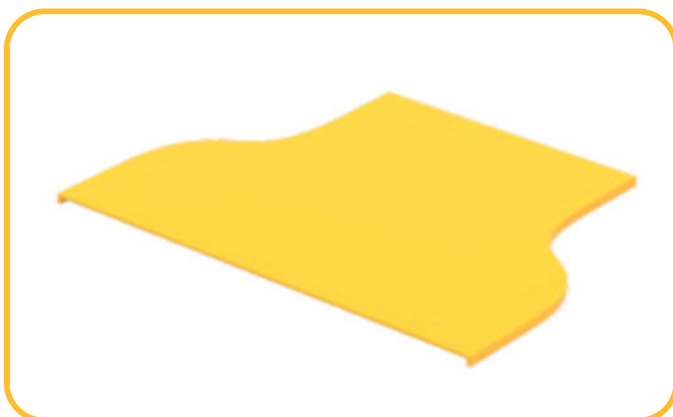
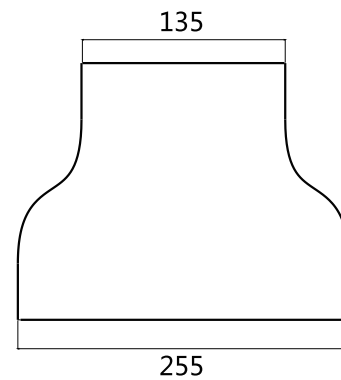
### Fiber Runners - 240mm to 120mm Conversion

- Dimension(WxHxL): 331mm x 171mm x 240mm
- Used as: Transition between levels, paired with down elbow
- Material: Flame-retardant ABS
- Weight: 352g
- Color: Yellow (Pantone 123C)



### Fiber Runners - 240mm to 120mm Conversion Cover

- Dimension(WxHxL): 255mm x 20mm x 240mm
- Used as: Cover on the conversion
- Material: Flame-retardant ABS
- Weight: 248g
- Color: Yellow (Pantone 123C)



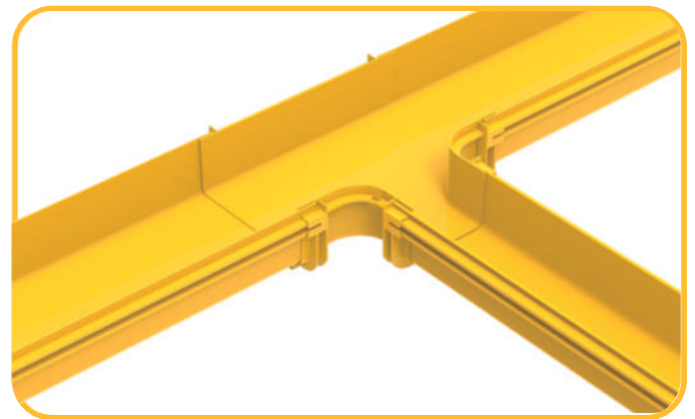
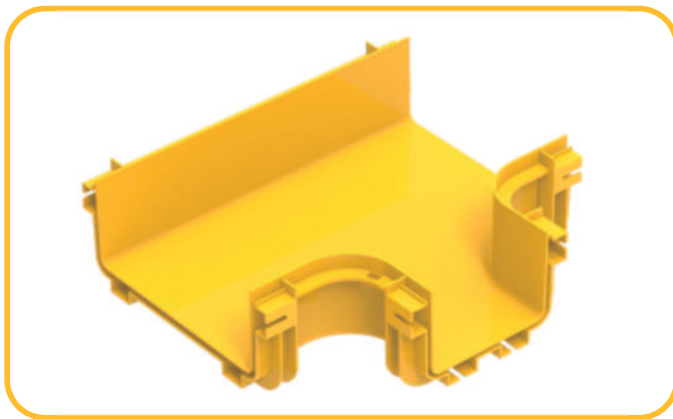
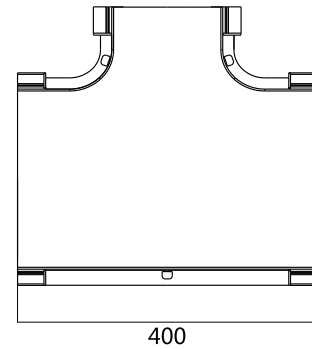
# FIBER RUNNERS



## > Fiber Runners - 240mm

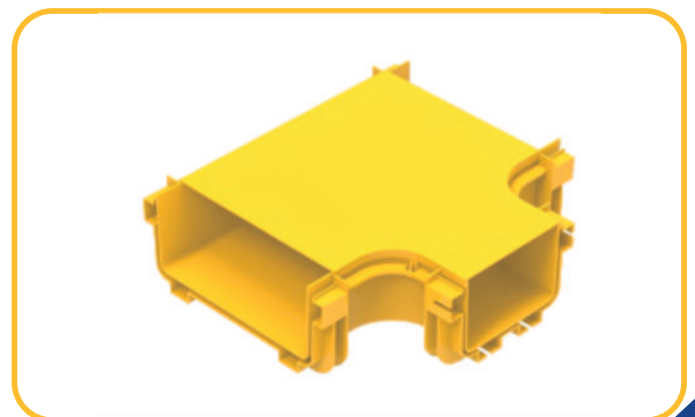
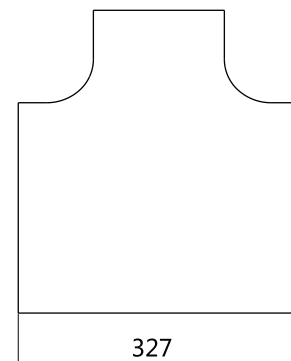
### Fiber Runners - 240mm to 120mm Conversion TEE

- Dimension(WxHxL): 400mm x 121mm x 350mm
- Used as: Side joint in straight sections
- M5 Screw&Nut Required: 12pcs
- Material: Flame-retardant ABS
- Weight: 1056g
- Color: Yellow (Pantone 123C)



### Fiber Runners - 240mm to 120mm Conversion TEE Cover

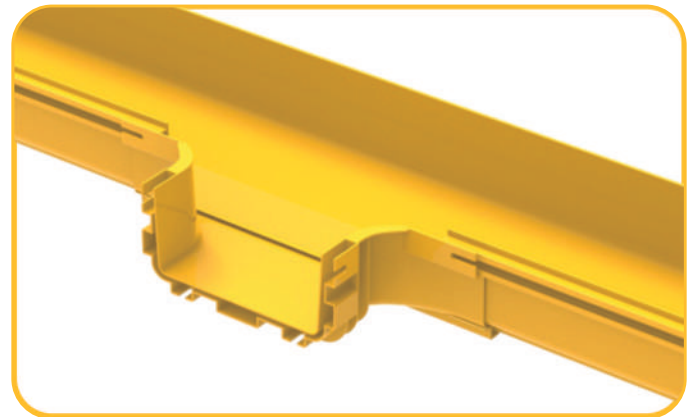
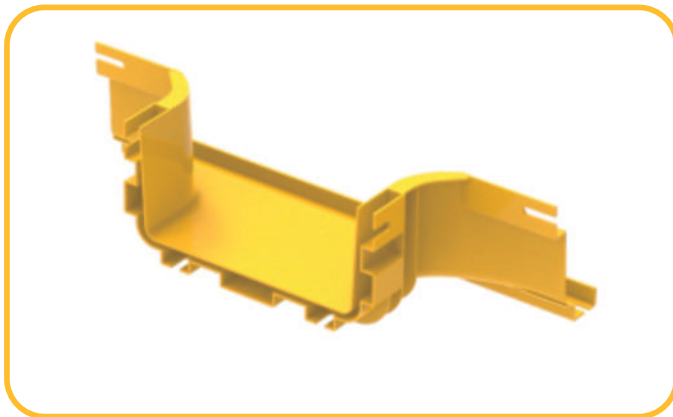
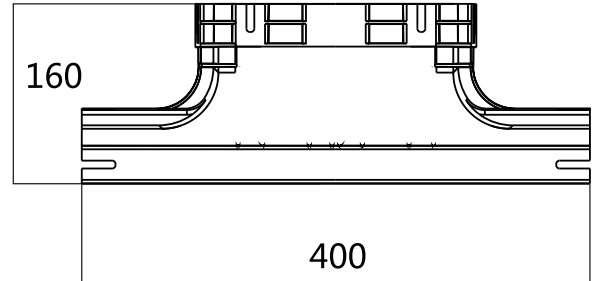
- Used as: Cover on the conversion TEE section
- Material: Flame-retardant ABS
- Weight: 327g
- Color: Yellow (Pantone 123C)



## > Fiber Runners - 240mm

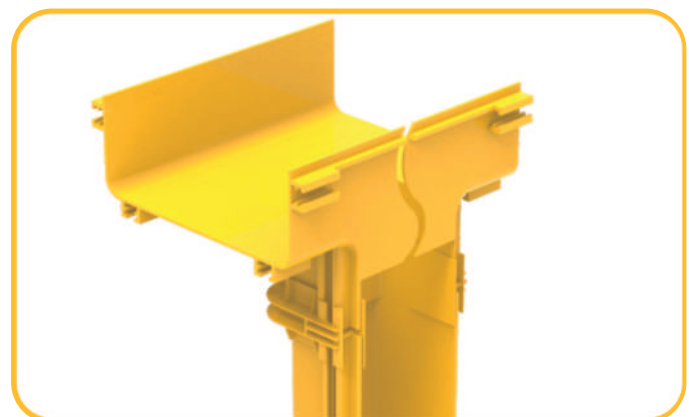
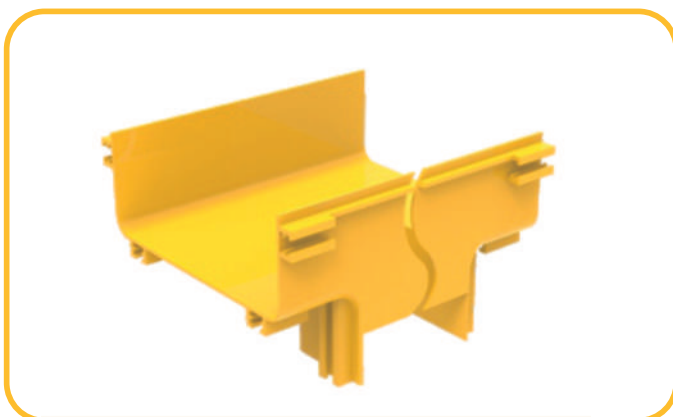
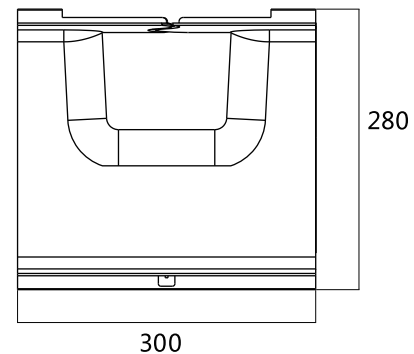
### Fiber Runners - 240mm Universal TEE Section

- Dimension(WxHxL): 400mm x 160mm x 160mm
- Used as: Side joint in straight sections
- M5 Screw&Nut Required: 8pcs
- Material: Flame-retardant ABS
- Weight: 305g
- Color: Yellow (Pantone 123C)



### Fiber Runners - 240mm to 120mm Vertical Conversion

- Dimension(WxHxL): 300mm x 190mm x 280mm
- Used as: TEE sections for down routing
- Material: Flame-retardant ABS
- Weight: 632g
- Color: Yellow (Pantone 123C)



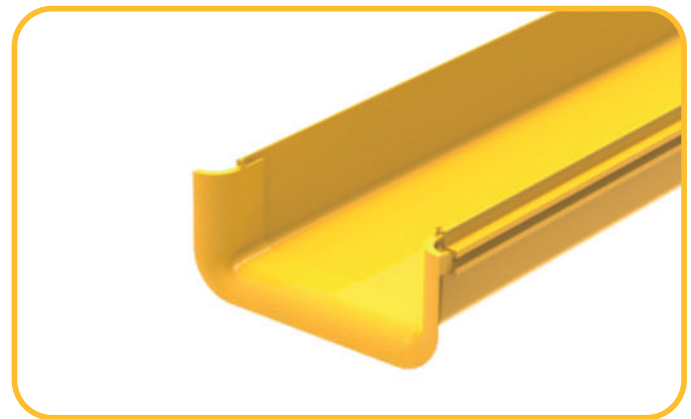
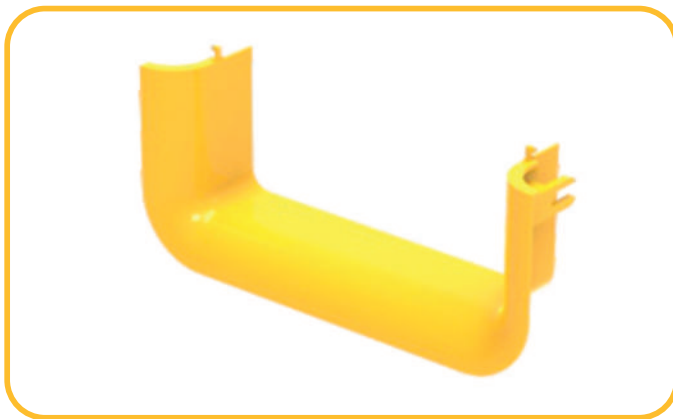
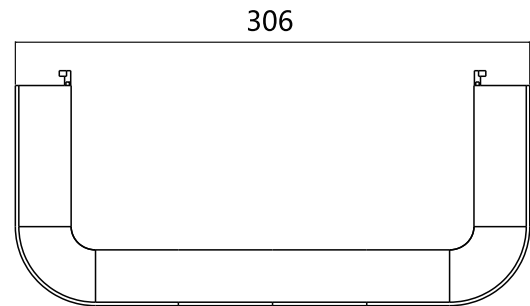
# FIBER RUNNERS



## > Fiber Runners - 240mm

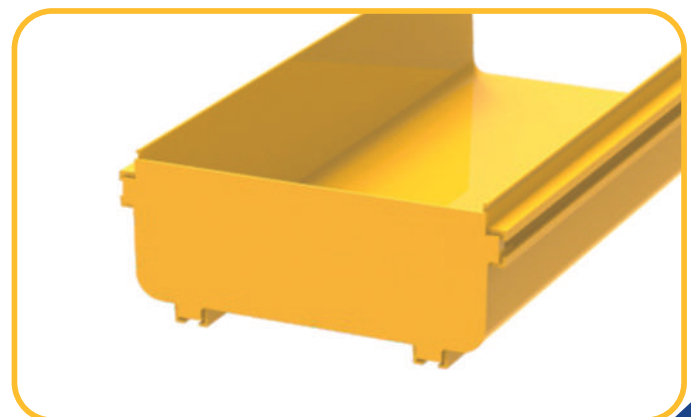
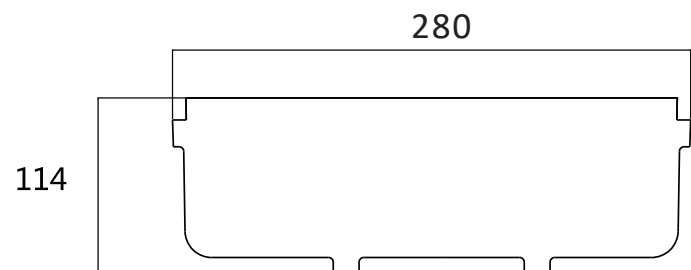
### Fiber Runners - 240mm Trumpet

- Dimension(WxHxL): 306mm x 130mm x 70mm
- Used as: Cable exit at the end of raceway
- M5 Screw&Nut Required: 4pcs
- Material: Flame-retardant ABS
- Weight: 170g
- Color: Yellow (Pantone 123C)



### Fiber Runners - 240mm End Cap

- Dimension(WxHxL): 280mm x 27mm x 114mm
- Used as: Straight raceway close-up
- M5 Screw&Nut Required: 4pcs
- Material: Flame-retardant ABS
- Weight: 70g
- Color: Yellow (Pantone 123C)





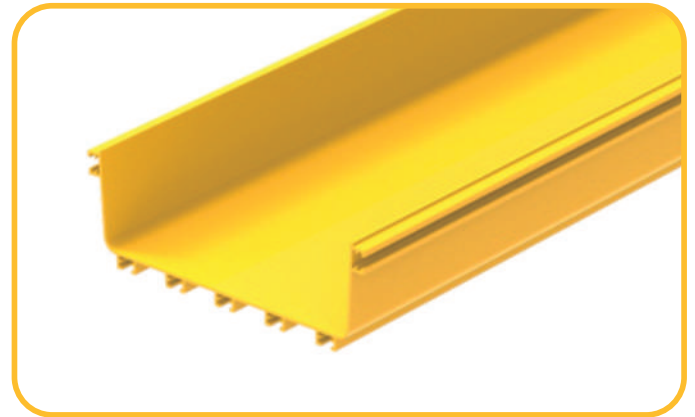
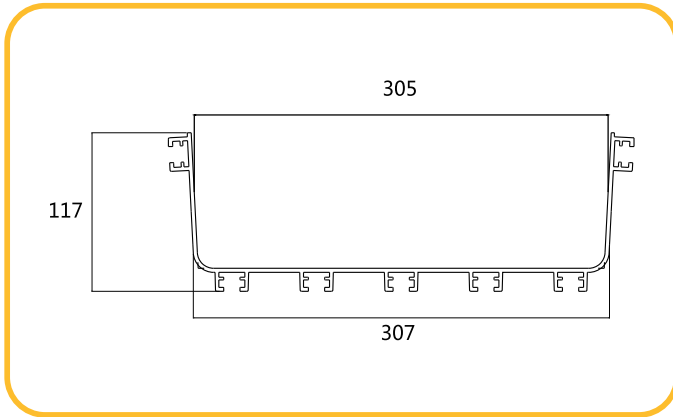
# FIBER RUNNERS



## > Fiber Runners - 300mm

### Fiber Runners - 300mm Straight Raceway

- Dimension(WxHxL): 340mm x 117mm x 2000mm
- Material: PVC/ABS
- Weight: 7400g
- Color: Yellow (Pantone 123C)



### Capacity

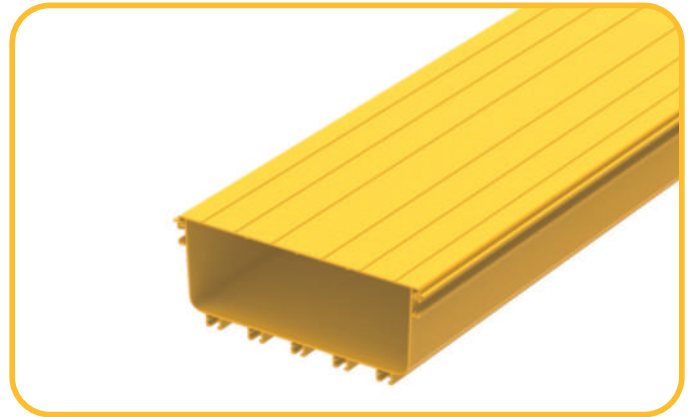
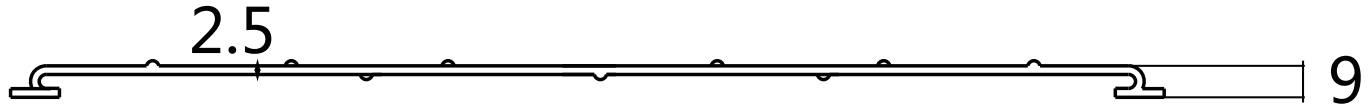
FIBER RUNNERS

2MM Cable	3MM Cable	Cross Section View
2370	1055	
3556	1578	
5136	2106	

## > Fiber Runners - 300mm

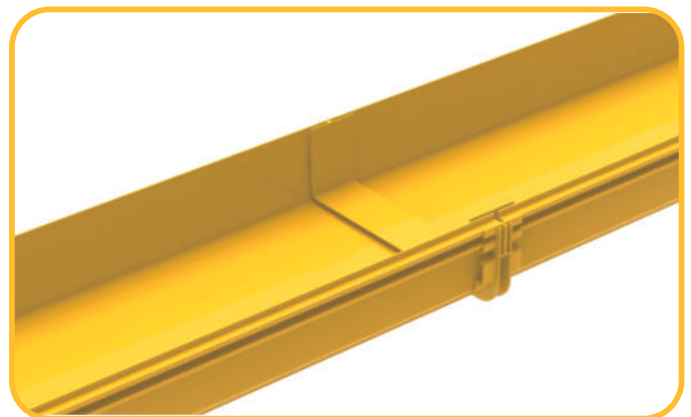
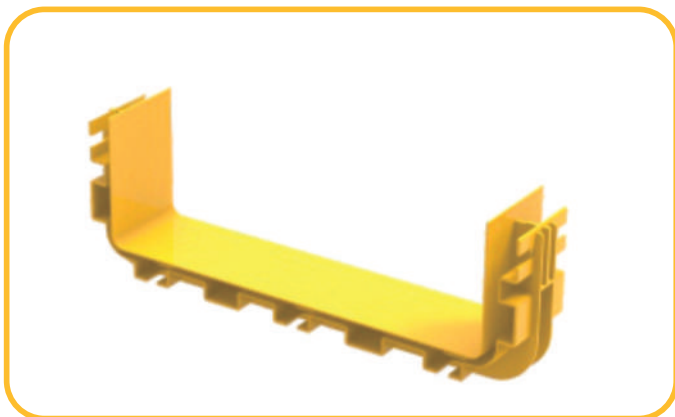
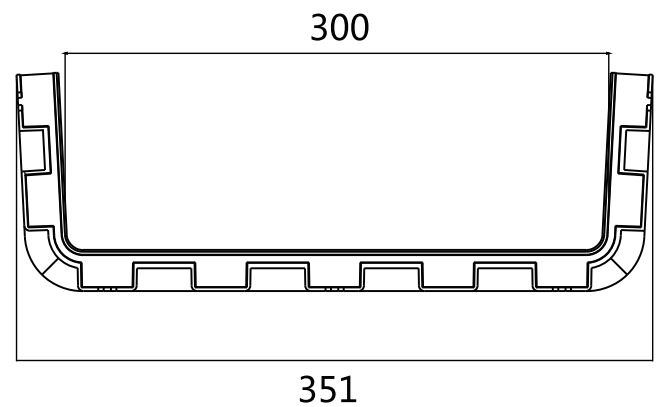
### Fiber Runners - 300mm Straight Cover

- Dimension(WxHxL): 330mm x 9mm x 2000mm
- Material: Flame-retardant ABS
- Weight: 2500g
- Color: Yellow (Pantone 123C)



### Fiber Runners - 300mm Junction

- Used as: Junction between straight sections
- M5 Screw&Nut Required: 10pcs
- Material: Flame-retardant ABS
- Weight: 304g
- Color: Yellow (Pantone 123C)



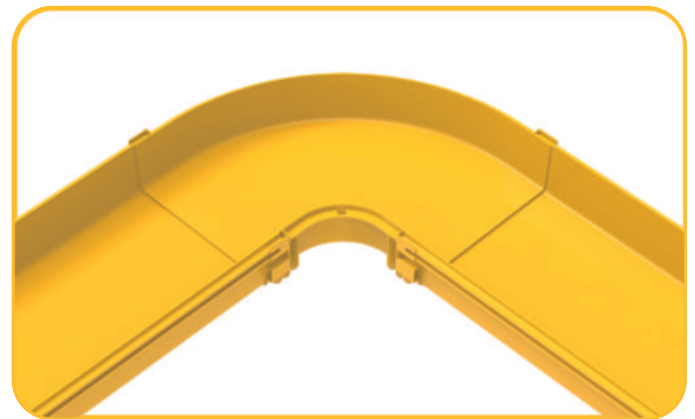
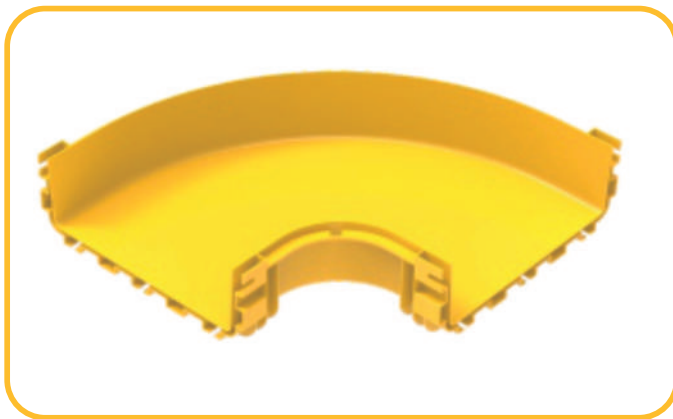
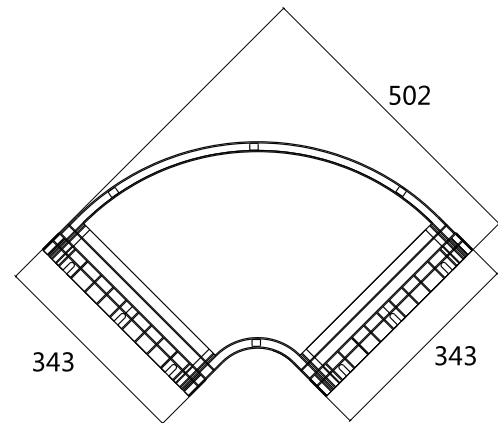
# FIBER RUNNERS



## > Fiber Runners - 300mm

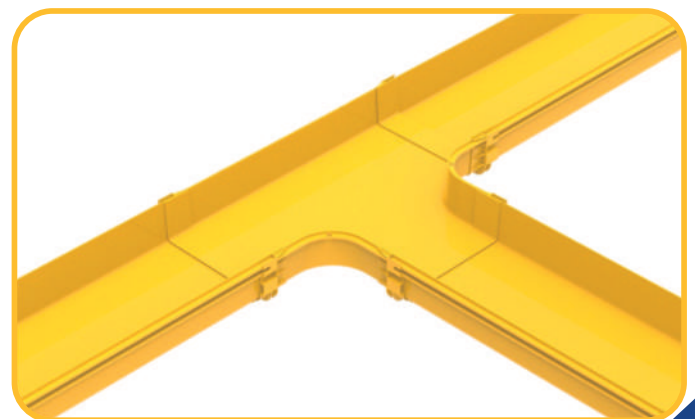
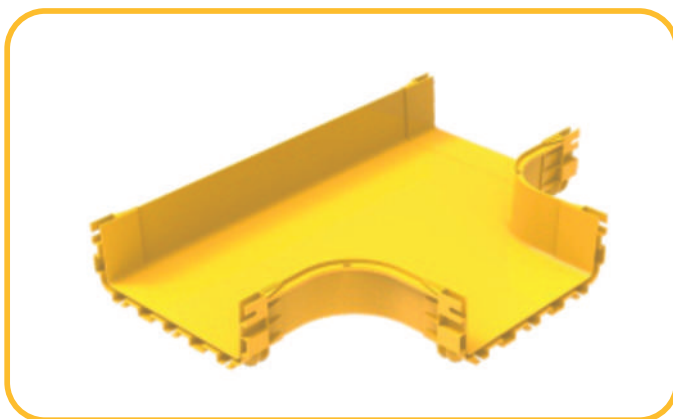
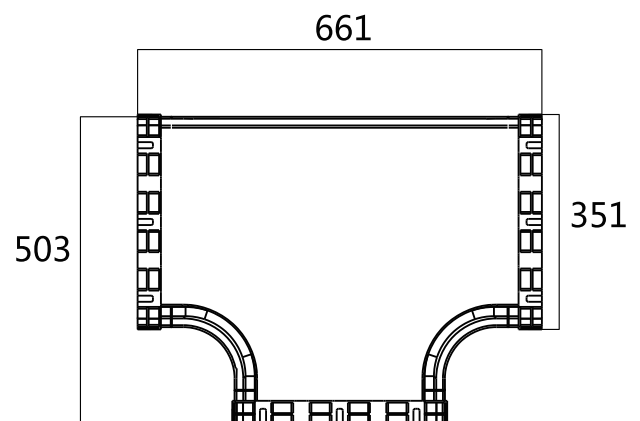
### Fiber Runners - 300mm 90° Horizontal Elbow

- Dimension(WxHxL): 502mm x 117mm x 502mm
- Used as: 90° turn between straight sections
- M5 Screw&Nut Required: 10pcs
- Material: Flame-retardant ABS
- Weight: 1307g
- Color: Yellow (Pantone 123C)



### Fiber Runners - 300mm TEE Section

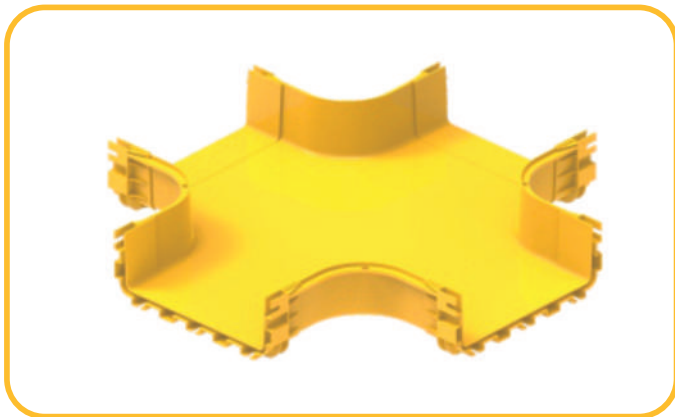
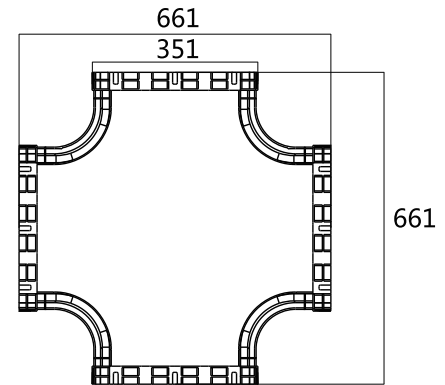
- Dimension(WxHxL): 503mm x 117mm x 661mm
- Used as: Junction between straight sections
- M5 Screw&Nut Required: 12pcs
- Material: Flame-retardant ABS
- Weight: 1982g
- Color: Yellow (Pantone 123C)



## > Fiber Runners - 300mm

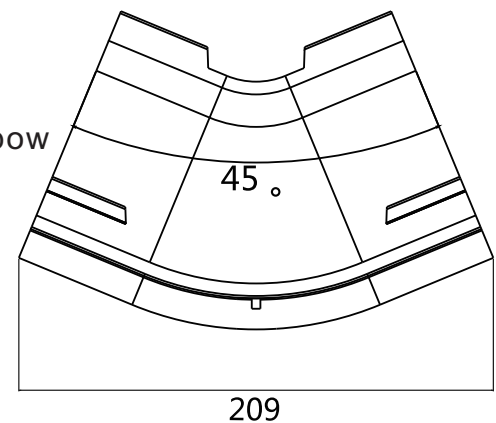
### Fiber Runners - 300mm Cross

- Dimension(WxHxL): 661mm x 117mm x 661mm
- Used as: Cross area between straight sections
- M5 Screw&Nut Required: 20pcs
- Material: Flame-retardant ABS
- Weight: 2425g
- Color: Yellow (Pantone 123C)



### Fiber Runners - 300mm 45° Up Elbow

- Dimension(WxHxL): 209mm x 117mm x 140mm
- Used as: Transition between levels, paired with down elbow
- Material: Flame-retardant ABS
- Weight: 447g
- Color: Yellow (Pantone 123C)



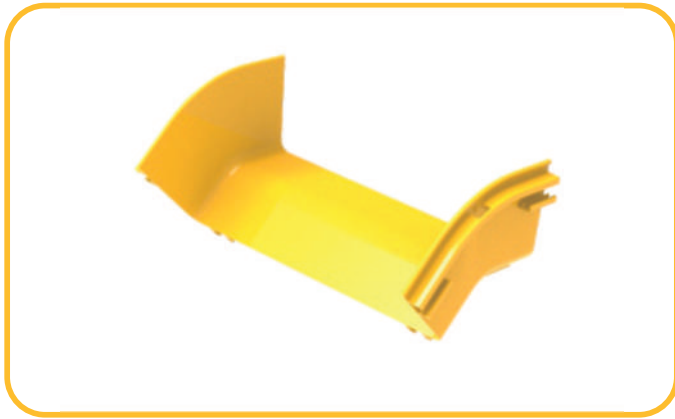
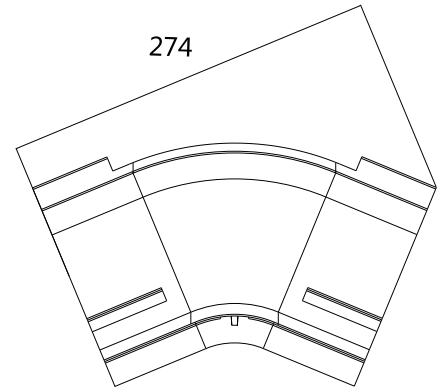
# FIBER RUNNERS



## > Fiber Runners - 300mm

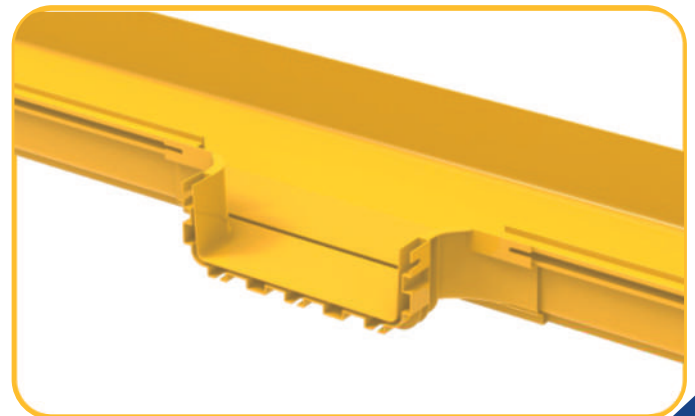
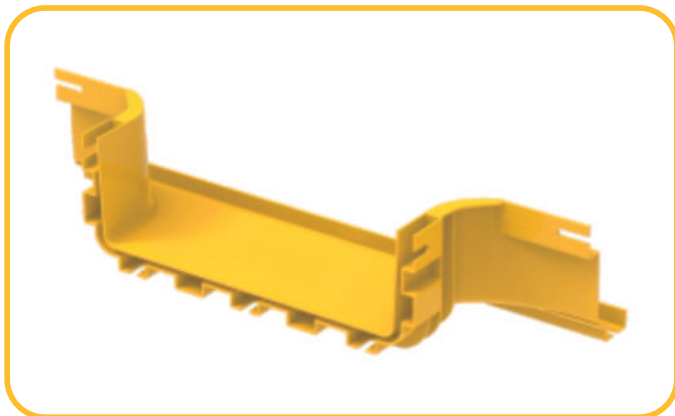
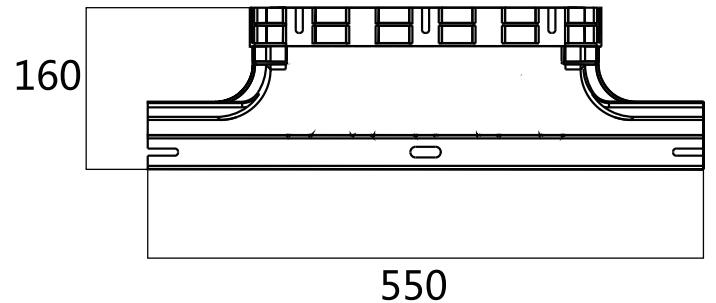
### Fiber Runners - 300mm 45° Down Elbow

- Dimension(WxHxL): 274mm x 340mm x 225mm
- Used as: Transition between levels, paired with up elbow
- Material: Flame-retardant ABS
- Weight: 360g
- Color: Yellow (Pantone 123C)



### Fiber Runners - 300mm Side TEE

- Dimension(WxHxL): 550mm x 117mm x 160mm
- Used as: Side outlet in straight sections
- Material: Flame-retardant ABS
- Weight: 1982g
- Color: Yellow (Pantone 123C)

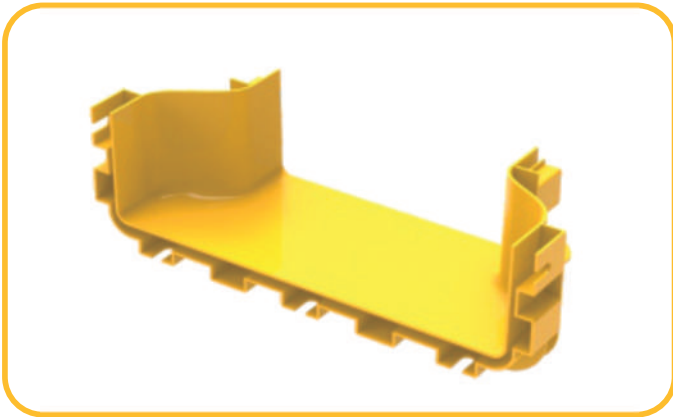
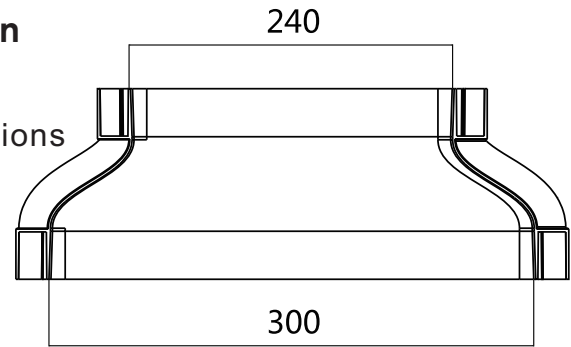


FIBER RUNNERS

## > Fiber Runners - 300mm

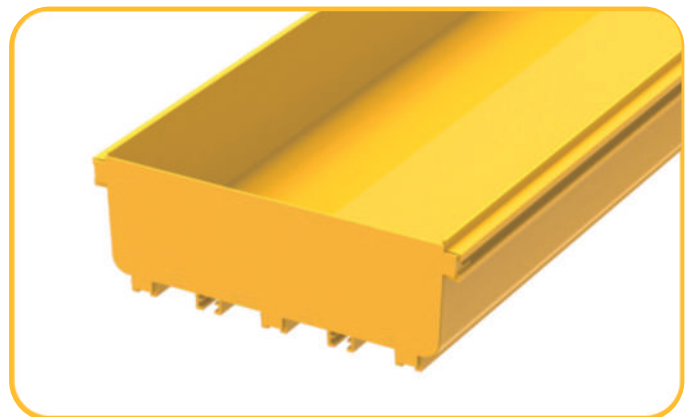
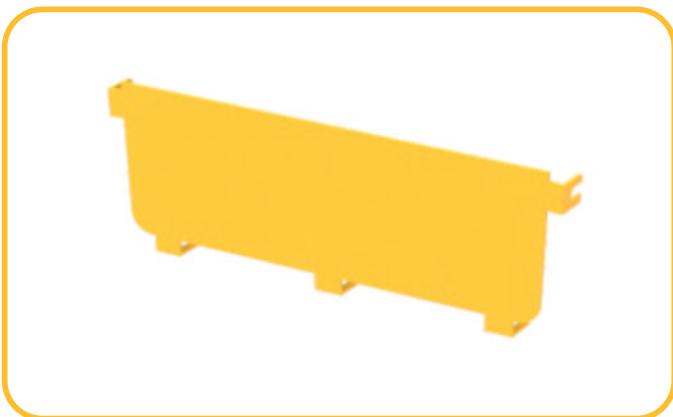
### Fiber Runners - 300mm to 240mm Conversion

- Dimension(WxHxL): 342mm x 117mm x 160mm
- Used as: Conversion between 300 and 240mm sections
- Include: Elbow body, 9pcs M5 Screw&Nut
- Material: Flame-retardant ABS
- Color: Yellow (Pantone 123C)



### Fiber Runners - 300mm End Cap

- Dimension(WxHxL): 337mm x 25mm x 117mm
- Used as: Straight raceway close-up
- Material: Flame-retardant ABS
- Weight: 100g
- Color: Yellow (Pantone 123C)



# FIBER RUNNERS

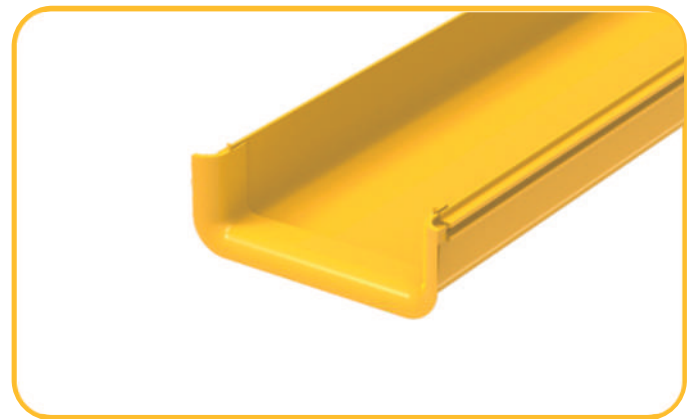
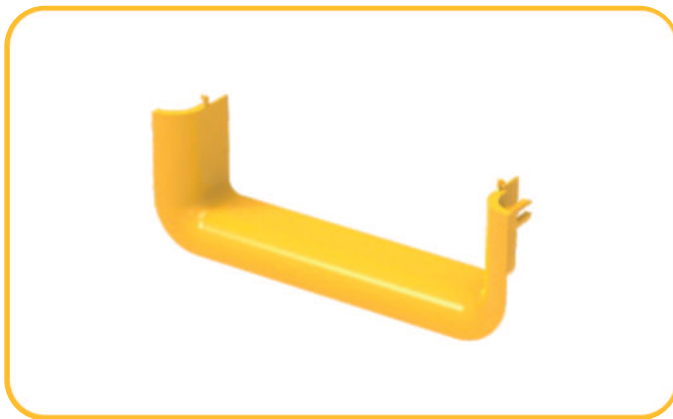


## > Fiber Runners - 300mm

### Fiber Runners - 300mm Trumpet

- Dimension(WxHxL): 366mm x 138mm x 70mm
- Used as: Cable exit at the end of raceway
- Material: Flame-retardant ABS
- Weight: 360g
- Color: Yellow (Pantone 123C)

366

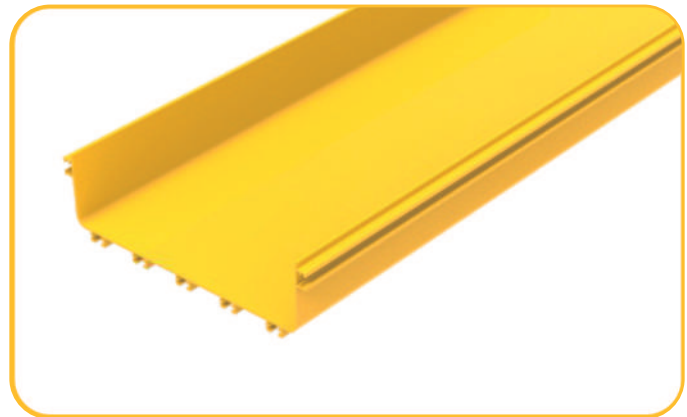
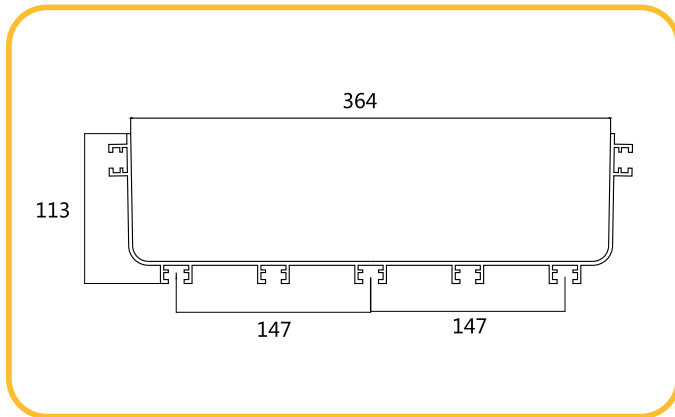


FIBER RUNNERS

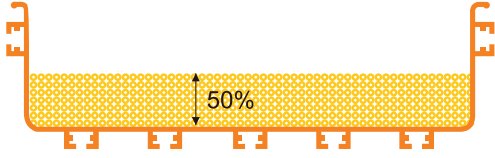
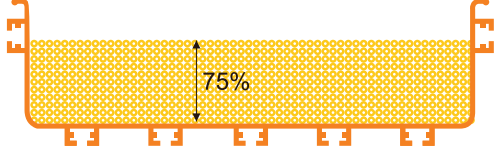
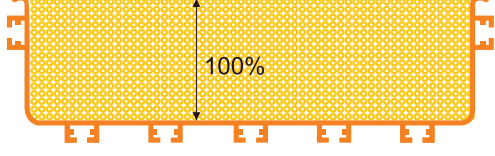
## > Fiber Runners - 360mm

### Fiber Runners - 360mm Straight Raceway

- Dimension(WxHxL): 380mm x 117mm x 2000mm
- Material: PVC/ABS
- Weight: 8400g
- Color: Yellow (Pantone 123C)



### Capacity

2MM Cable	3MM Cable	Cross Section View
2940	1308	
4409	1957	
6369	2611	

FIBER RUNNERS



# FIBER RUNNERS

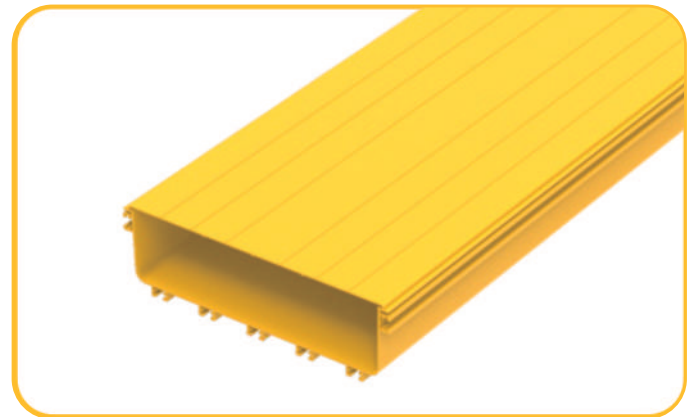
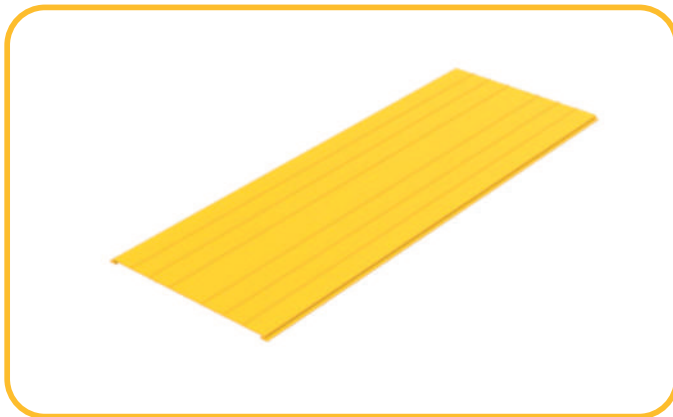
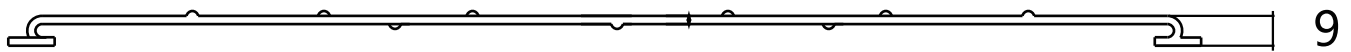


## > Fiber Runners - 1200mm

### Fiber Runners - 360mm Straight Cover

- Dimension(WxHxL): 390mm x 9mm x 2000mm
- Material: Flame-retardant ABS
- Weight: 2900g
- Color: Yellow (Pantone 123C)

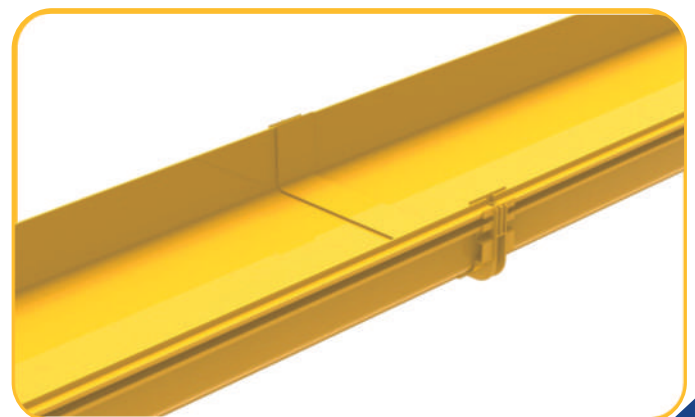
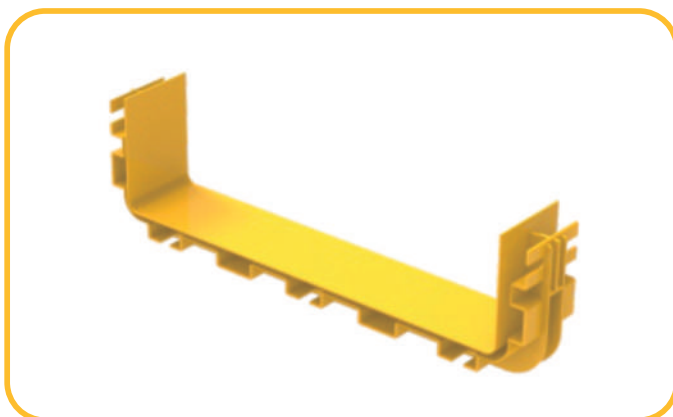
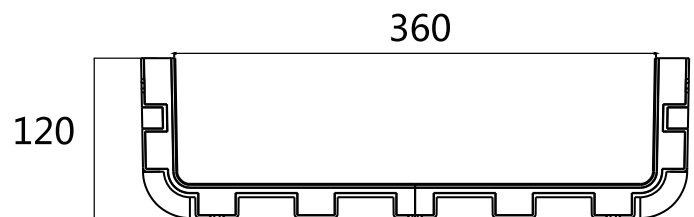
2.5



## FIBER RUNNERS

### Fiber Runners - 360mm Junction

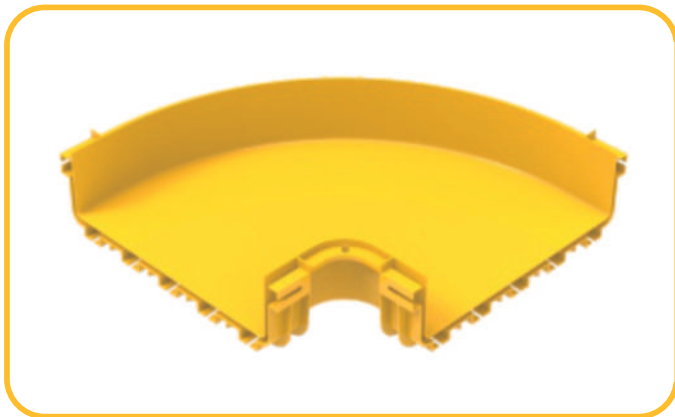
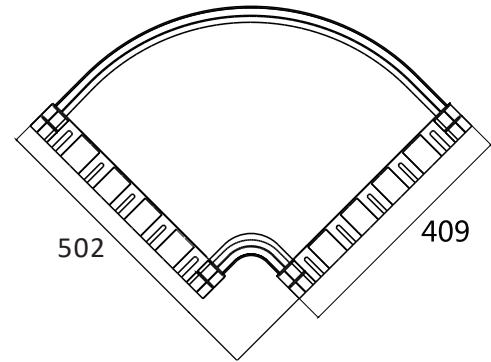
- Dimension(WxHxL): 400mm x 72mm x 20mm
- Used as: Side outlet in straight sections
- M5 Screw&Nut Required: 8pcs
- Material: Flame-retardant ABS
- Weight: 378g
- Color: Yellow (Pantone 123C)



## > Fiber Runners - 360mm

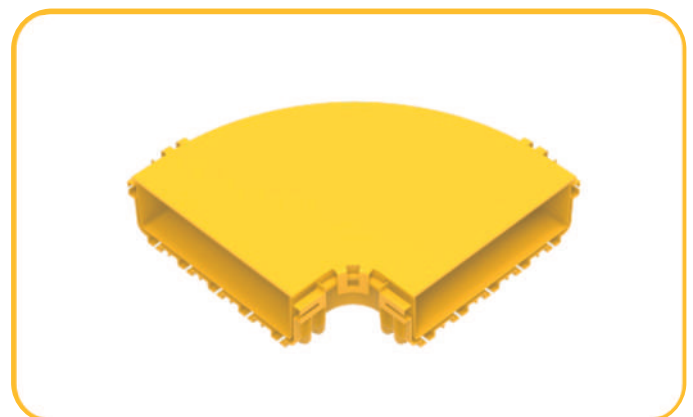
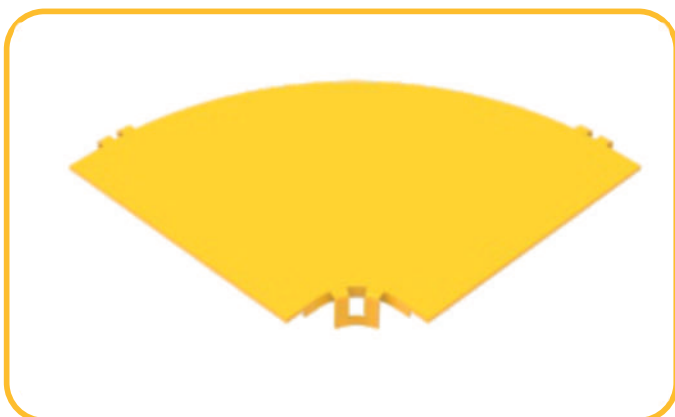
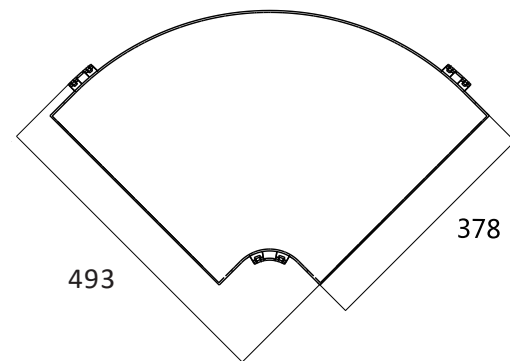
### Fiber Runners - 360mm 90° Horizontal Elbow

- Dimension(WxHxL): 502mm x 121mm x 502mm
- Used as: 90° turn between straight sections
- Material: Flame-retardant ABS
- Weight: 1259g
- Color: Yellow (Pantone 123C)



### Fiber Runners - 360mm 90° Horizontal Elbow Cover

- Used as: Cover on the 90° horizontal elbow
- Material: Flame-retardant ABS
- Weight: 372g
- Color: Yellow (Pantone 123C)



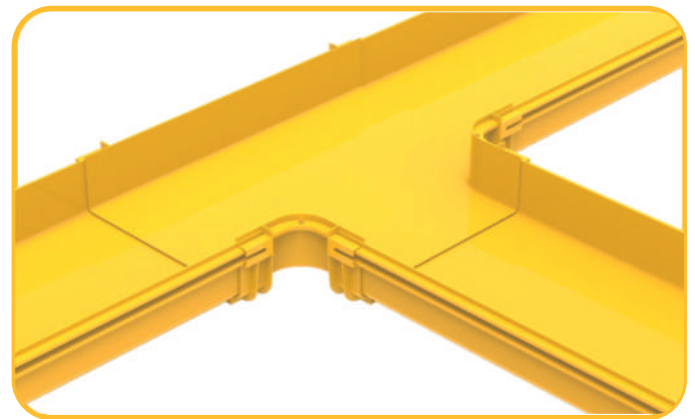
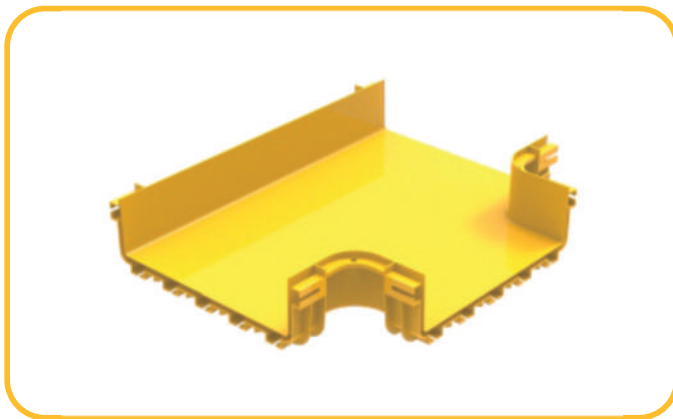
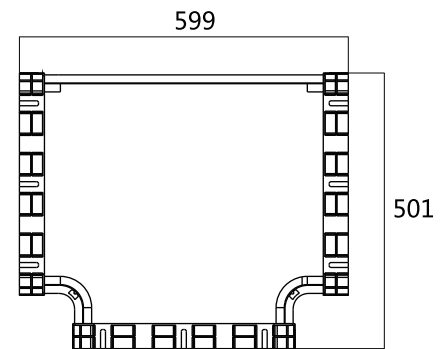
# FIBER RUNNERS



## > Fiber Runners - 360mm

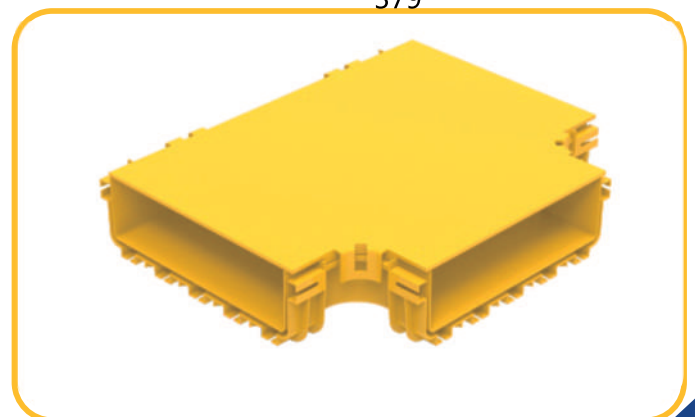
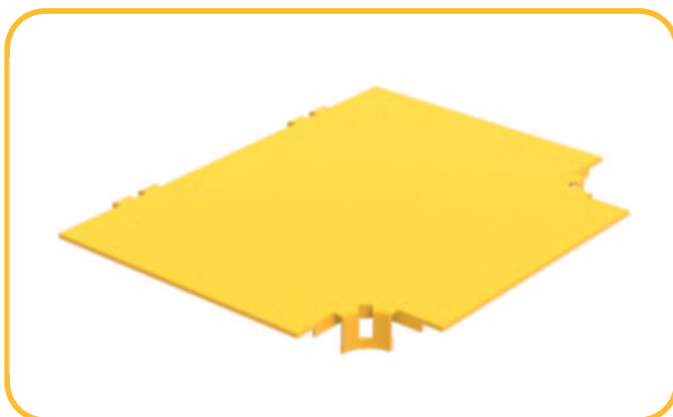
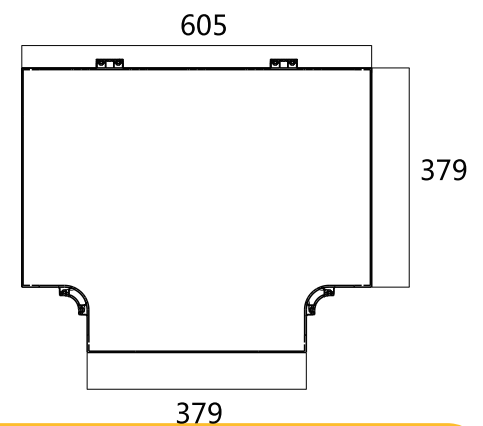
### Fiber Runners - 360mm Horizontal TEE Section

- Dimension(WxHxL): 599mm x 121mm x 501mm
- Used as: Side joint in straight sections
- M5 Screw&Nut Required: 15pcs
- Material: Flame-retardant ABS
- Weight: 1686g
- Color: Yellow (Pantone 123C)



### Fiber Runners - 360mm Horizontal TEE Cover

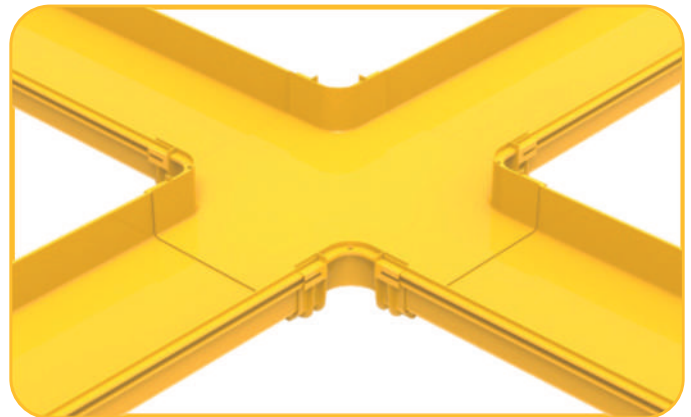
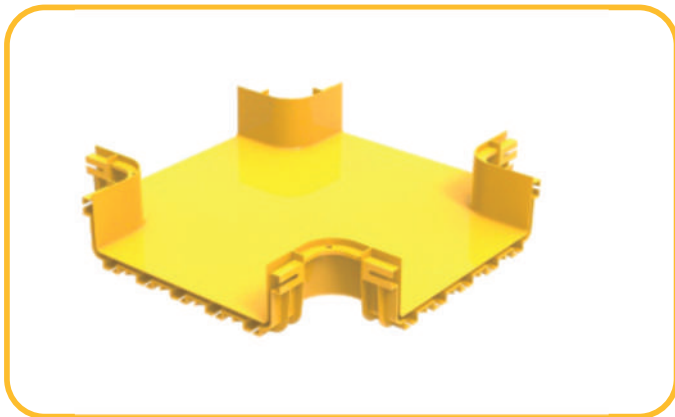
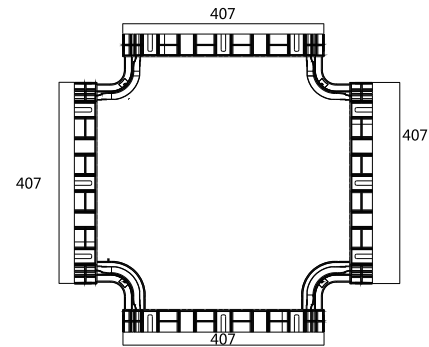
- Used as: Cover on the TEE section
- Material: Flame-retardant ABS
- Weight: 458g
- Color: Yellow (Pantone 123C)



## > Fiber Runners - 360mm

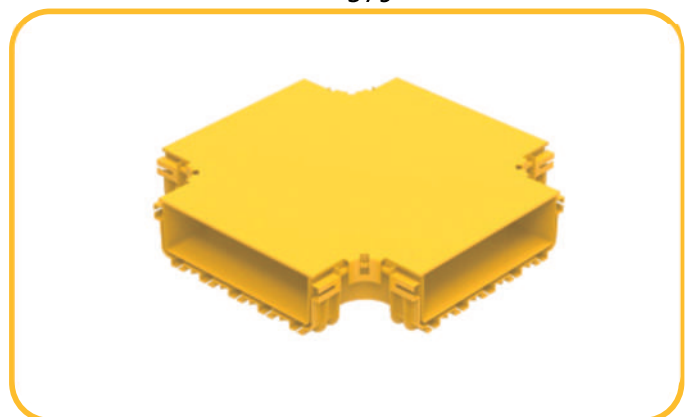
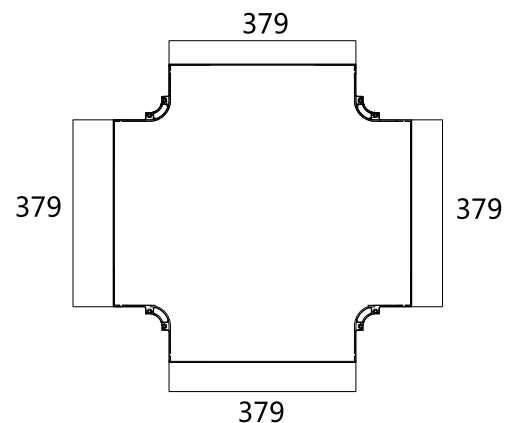
### Fiber Runners - 360mm Cross

- Dimension(WxHxL): 603mm x 121mm x 603mm
- Used as: Junction between straight sections
- M5 Screw&Nut Required: 20pcs
- Material: Flame-retardant ABS
- Weight: 1904g
- Color: Yellow (Pantone 123C)



### Fiber Runners - 360mm Cross Cover

- Used as: Cover on the cross section
- Material: Flame-retardant ABS
- Weight: 753g
- Color: Yellow (Pantone 123C)



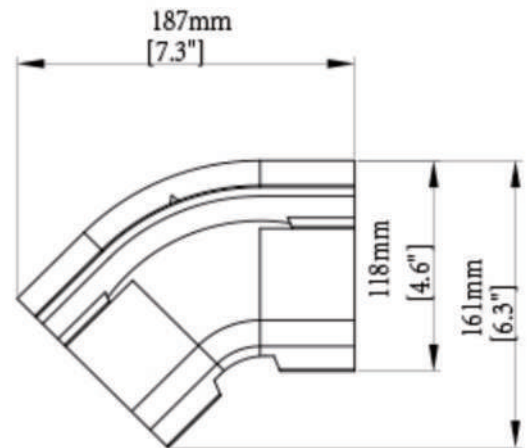
# FIBER RUNNERS



## > Fiber Runners - 360mm

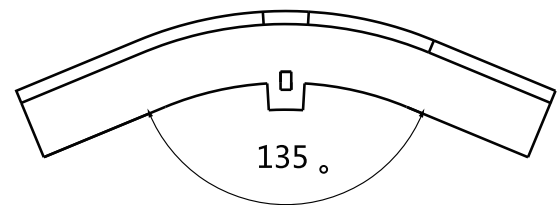
### Fiber Runners - 360mm 45° Down Elbow

- Dimension(WxHxL): 400mm x 161mm x 187mm
- Used as: Transition between levels, paired with up elbow
- Material: Flame-retardant ABS
- Weight: 440g
- Color: Yellow (Pantone 123C)



### Fiber Runners - 360mm 45° Down Elbow Cover

- Used as: Cover on the up elbow
- Material: Flame-retardant ABS
- Weight: 307g
- Color: Yellow (Pantone 123C)

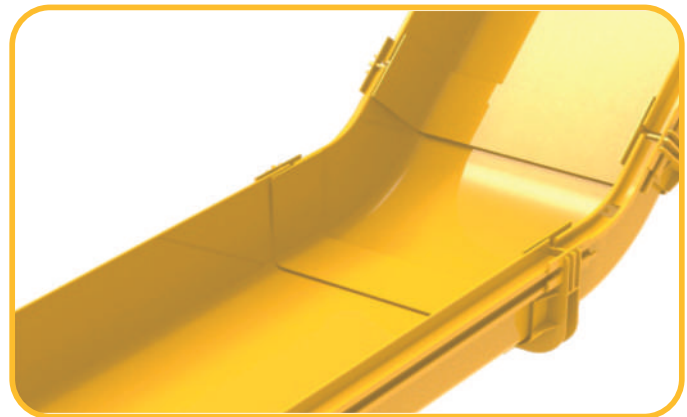
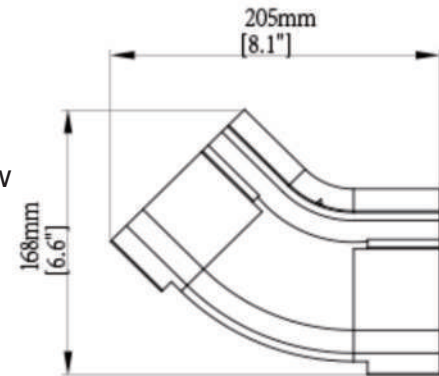


FIBER RUNNERS

## > Fiber Runners - 360mm

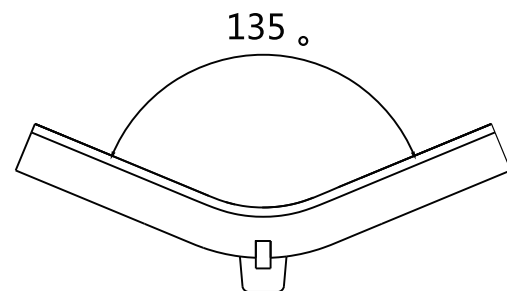
### Fiber Runners - 360mm 45° Up Elbow

- Dimension(WxHxL): 400mm x 168mm x 205mm
- Used as: Transition between levels, paired with down elbow
- Material: Flame-retardant ABS
- Weight: 370g
- Color: Yellow (Pantone 123C)



### Fiber Runners - 360mm 45° Up Elbow Cover

- Used as: Cover on the up elbow
- Material: Flame-retardant ABS
- Weight: 171g
- Color: Yellow (Pantone 123C)



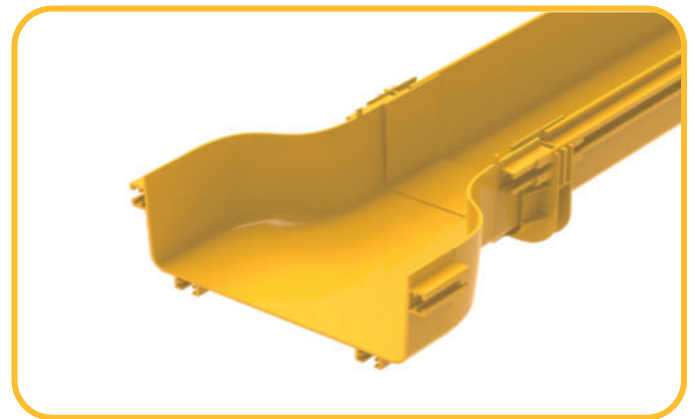
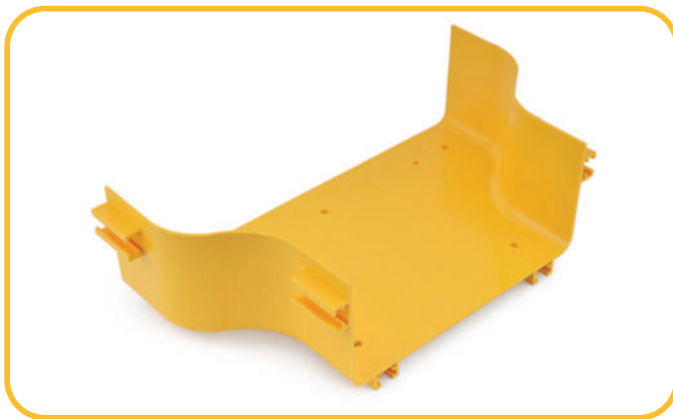
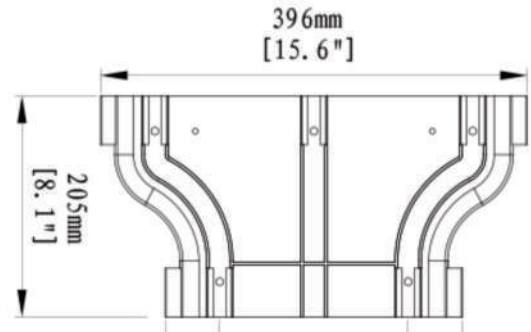
# FIBER RUNNERS



## > Fiber Runners - 360mm

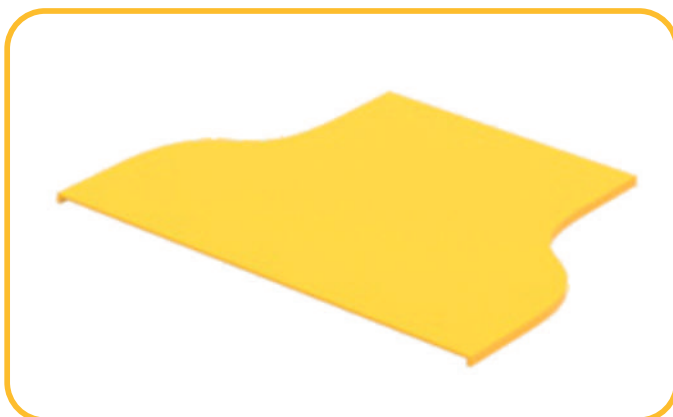
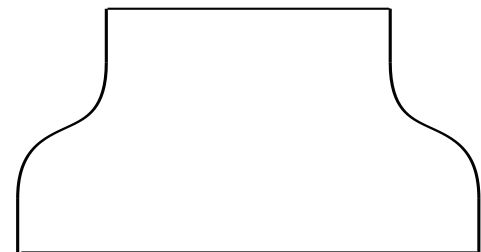
### Fiber Runners - 360mm to 240mm Conversion

- Dimension(WxHxL): 396mm x 118mm x 205mm
- Used as: Transition between 360/240mm raceways
- Material: Flame-retardant ABS
- Weight: 433g
- Color: Yellow (Pantone 123C)
- 



### Fiber Runners - 360mm to 240mm Conversion Cover

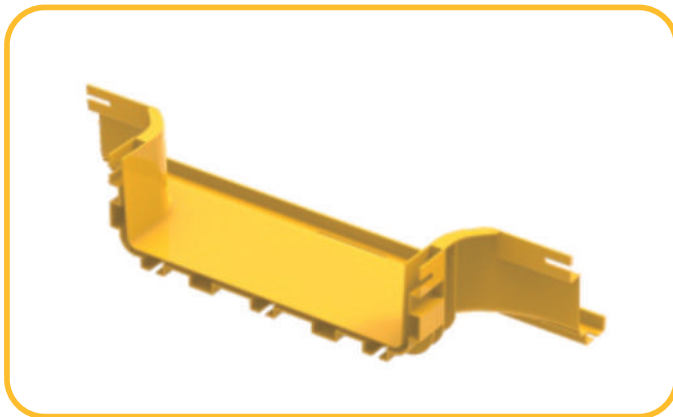
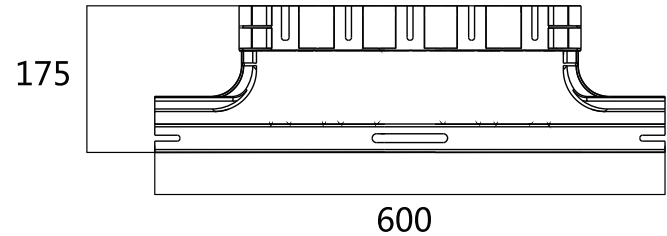
- Dimension(WxHxL): 400mm x 20mm x 205mm
- Used as: Cover on the conversion
- Material: Flame-retardant ABS
- Weight: 359g
- Color: Yellow (Pantone 123C)



## > Fiber Runners - 360mm

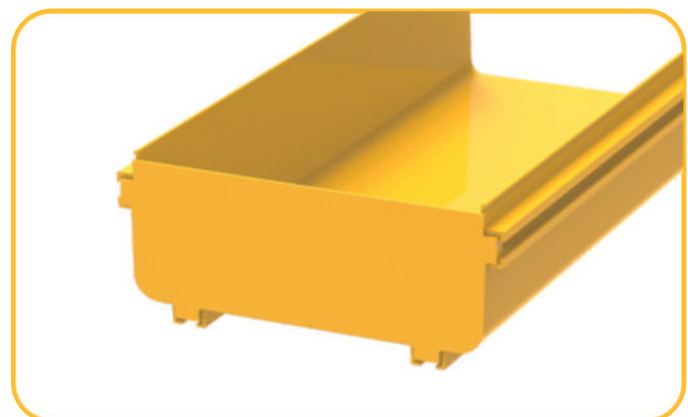
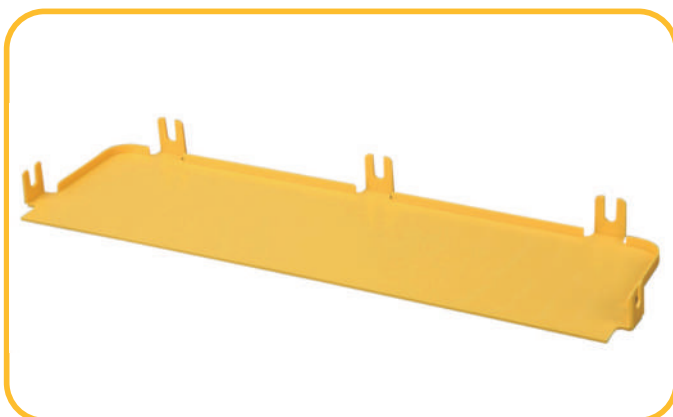
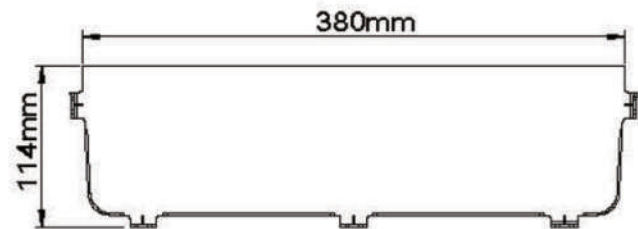
### Fiber Runners - 360mm Universal TEE Section

- Dimension(WxHxL): 600mm x 175mm x 160mm
- Used as: Side joint on straight sections
- M5 Screw&Nut Required: 9pcs
- Material: Flame-retardant ABS
- Weight: 490g
- Color: Yellow (Pantone 123C)



### Fiber Runners - 360mm End Cap

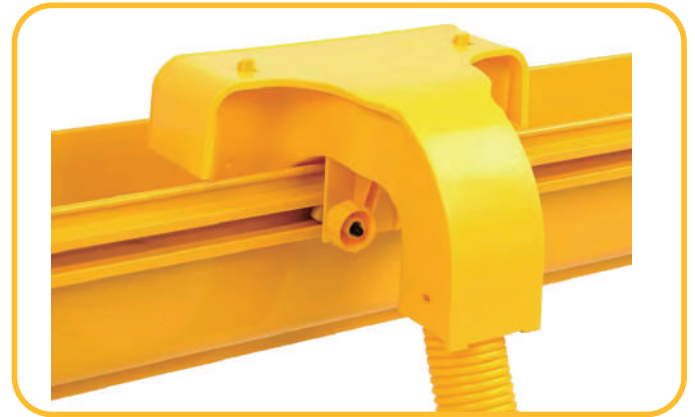
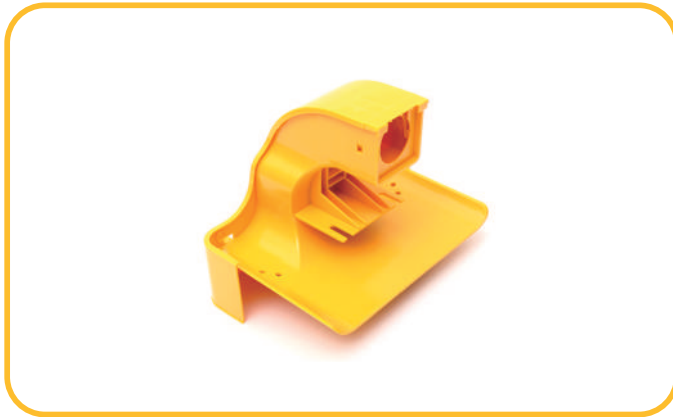
- Dimension(WxHxL): 380mm x 27mm x 114mm
- Used as: Straight raceway close-up
- M5 Screw&Nut Required: 5pcs
- Material: Flame-retardant ABS
- Weight: 106g
- Color: Yellow (Pantone 123C)



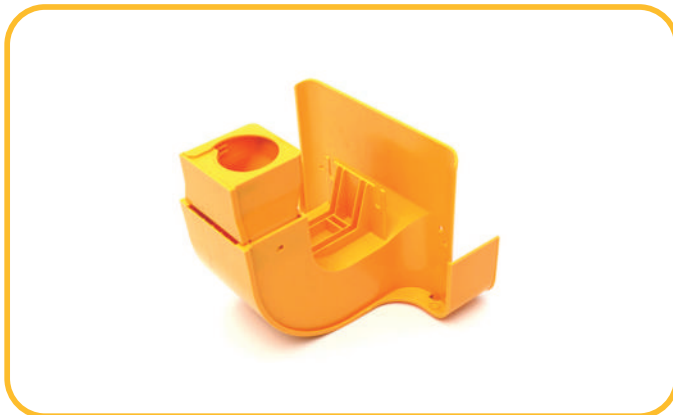


## > Fiber Runners - General Accessories

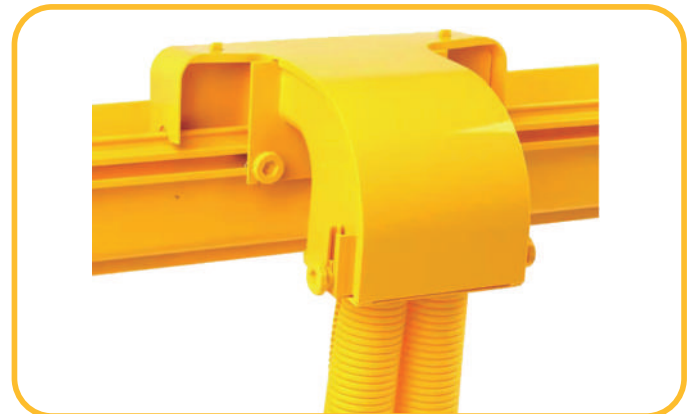
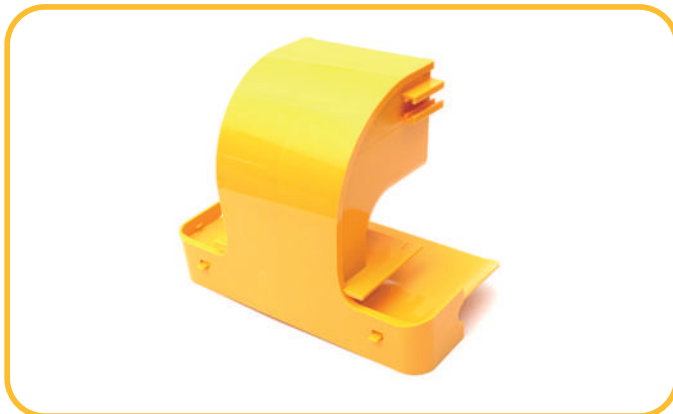
### Fiber Runners - 42mm Movable Downspout



### Fiber Runners - 56mm Movable Downspout

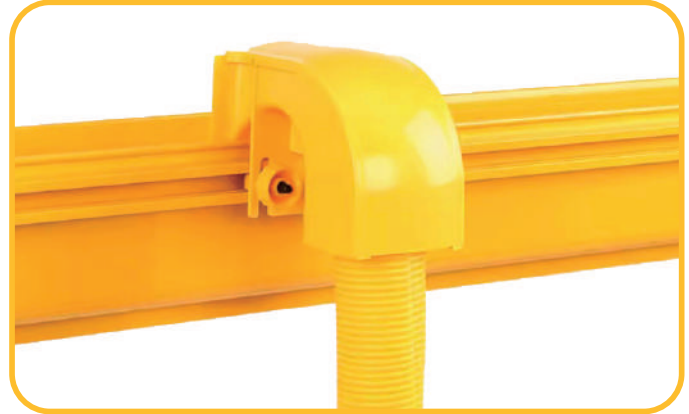


### Fiber Runners - 120mm Movable Downspout



## > Fiber Runners - General Accessories

### Fiber Runners - 70mm Movable Downspout



### Fiber Runners - 90mm Movable Downspout



### Fiber Runners - 130mm Movable Downspout

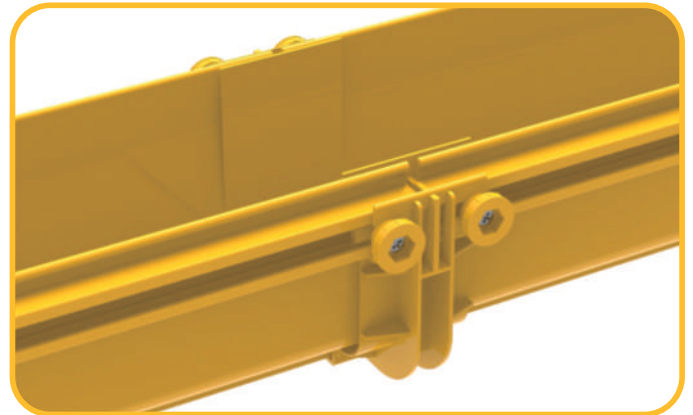
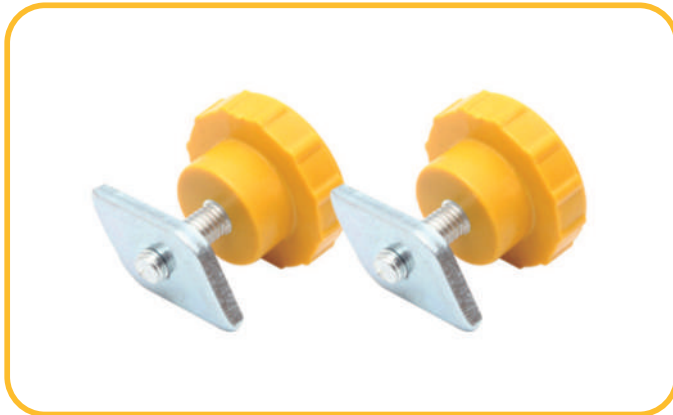


# FIBER RUNNERS



## > Fiber Runners - General Accessories

### Fiber Runners - M5 Screw & Nut



### Fiber Runners - Flexible hose (ø42/56/80mm)



### Fiber Runners - Hose Bracket (ø42/56/80mm Cutout)

